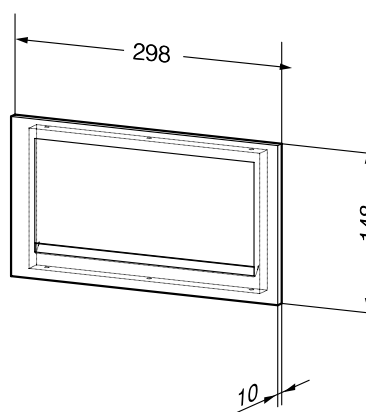


## Swing flap with mounting frame in stainless steel



- *Self-closing, flame-retardant swing flap with mounting frame in stainless steel AISI 304, satin finished.*
- *Easy to clean due to optimum accessibility.*
- *Simple mounting: in 20 mm laminate or chipboard.*
- *Insert dimensions 254 x 130 mm*
- *Also available upon request in a polished finish or with other surfaces.*

### Suggested text for specifications:

Swing flap with mounting frame in stainless steel AISI 304, satin finished.

Dimensions 298 x 148 x 10 mm; includes mounting components.

Article No. WP 135

