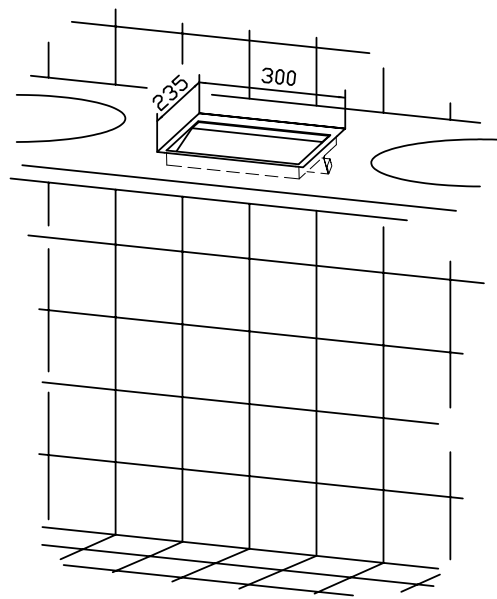


Waste deposit flap in stainless steel for mounting in vanity units



- Self-closing waste disposal flap in robust, easy-to-clean stainless steel AISI 304, satin finished.
- Easy to clean due to optimum accessibility.
- No wearing parts, smooth closing by counterweight.
- Simple mounting: insert into cutout and bed in silicone.
- Insert dimensions 277 x 210 mm.
- Also available upon request in a polished finish or with other surfaces.

Suggested text for specifications:

Waste disposal flap in stainless steel AISI 304, for mounting in vanity units, satin finished, self closing by counterweight.

Dimensions 300 x 235 x 30 mm.

Article No. WP 154-1

