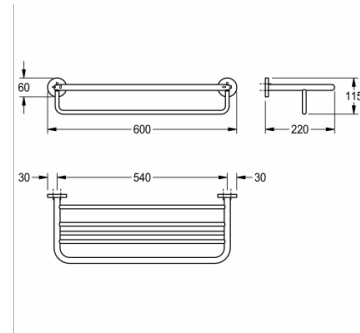


FIRX012HP | 2000106281

ARTICLE GROUP : **FIRX012++** | ARTICLE FAMILY : **Different accessories** | PRODUCT GROUP : **Accessories** |
MODEL RANGE : **FIRMUS**



Double towel rack in combination of towel shelf and rail for wall mounting, 304 stainless steel, round covers with drilled hole on bottom for fixation, incl. stainless steel screws and dowels.

Surface: high polished

TECHNICAL DATA

gross weight	3.00 kg
material	STAINLESS-STEEL
material code	1.4301 Chrome Nickel steel V2A
net weight	2.67 kg
overall depth	220.00 mm
overall height	115.00 mm
overall width	600.00 mm
surface finish	high polished
type of fixing	screw
type of mounting	wall mounting