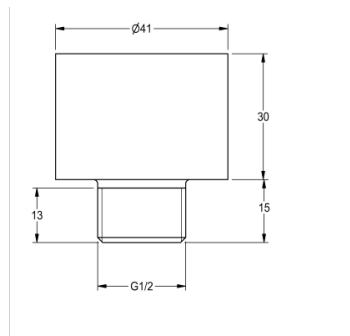
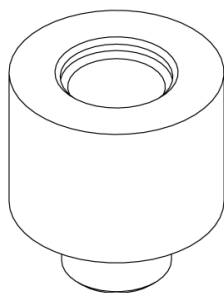


ZAQUA002 | 2000101433

ARTICLE GROUP : **ZAQUA002** | ARTICLE FAMILY : **Complementary parts** | PRODUCT GROUP : **Taps**



Extension adapter for AQUALINE-S self-closing bib tap, stackable 30 mm.

---

#### TECHNICAL DATA

gross weight	0.30 kg
net weight	0.29 kg
type	for bib taps
type of extension	for bib taps

---