
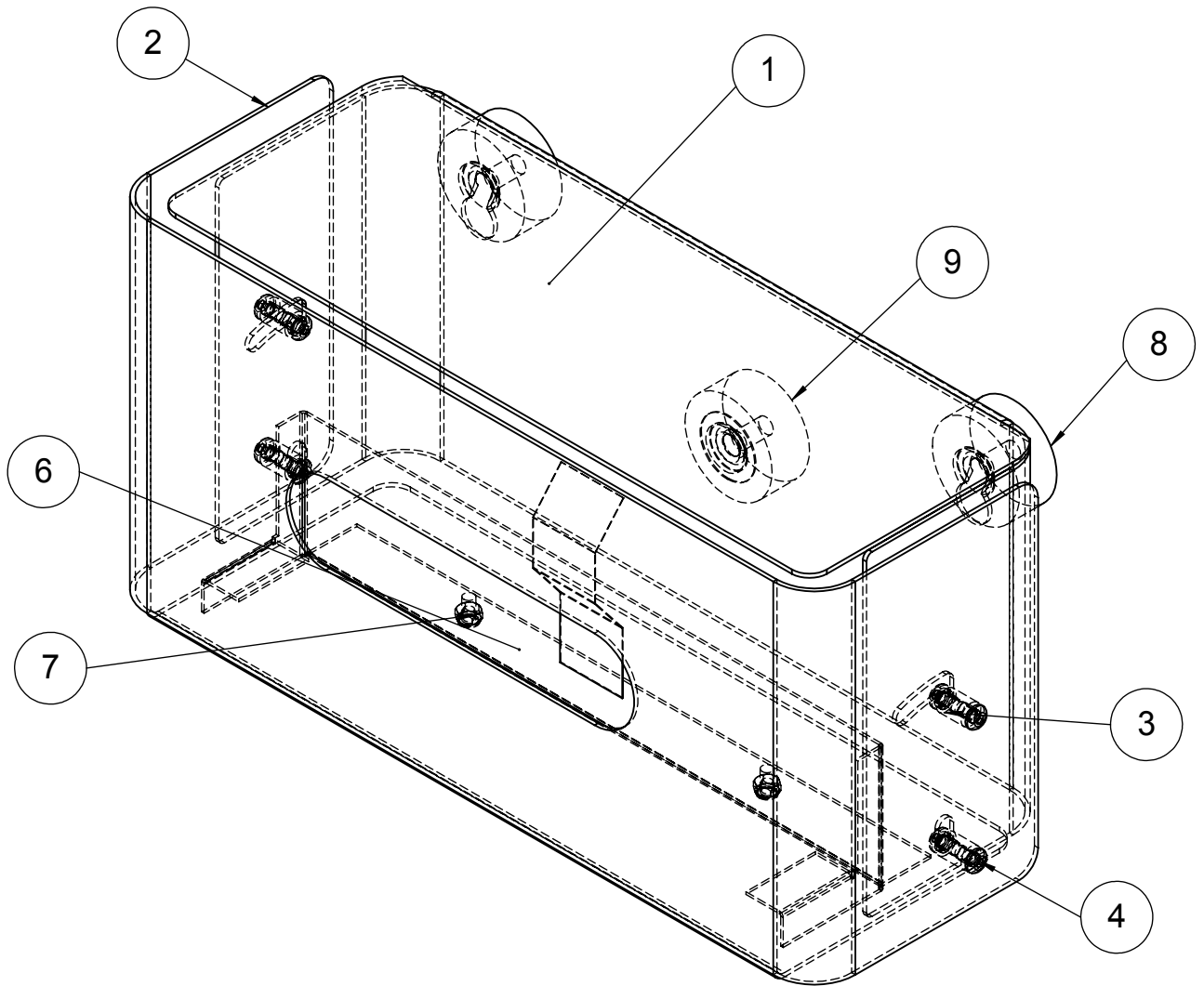


Subject: Cleenex box forplade		Drawing no.: 14.7091.02.000		Latest release.: TGR 22/09-2004	
category: Bathroom Fittings		Material: Stainless Steel Satin Finish		Status: Checked in	
Sign.:	TSM	Date:	30/10-1995		
Approved by:		Appr. date:			
<small>Dimension without tolerance, follows DS/ISO 2768-mK. This drawing is the property of Carl F A/S, and is not to be copied or shown to third parties.</small>					
				 <small>KNUD HOLSCHER DESIGN</small>	



Item	Quantity	Description	Reference no.	Rev.
1	1	Cleenex box bagplade	D 1706	A
2	1	Cleenex box forplade	D 1702	A
3	4	Gevindmellestykke	D 1744	A
4	8	Skrue, DIN 7380, M4x6 A2 Eslok-belægning	14.9701.02.187	A
6	1	Styr for kassette	D 1754	A
7	2	Møtrik M4, DIN 934, A4	14.9704.02.115	A
8	2	Afstandsstykke	D 791	A
9	1	Afstandsstykke med tape	D 806	B