

Product Documentation



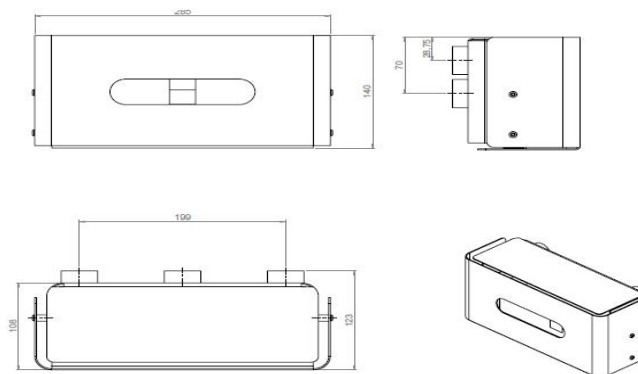
Product Name: Tissue dispenser

Article Number: 14.7091.02.000
Satin stainless steel

Photo:



Drawing:



Product Information:

Material: AISI 316 stainless steel
Surface finish: Satin 320 grain or polished
Material thickness / Radius: 1,5
Height: 140mm
Width: 285mm
Depth: 123mm

Product Specification:

d line Wall mounted tissue dispenser 285 x 140 x d123 mm AISI 316 satin stainless steel

The high humidity levels in the bathroom setting necessitates the use of a non-corrosive rustresistant stainless steel. the only metal used in d line's bathroom fittings is AISI 316, also known as marine quality stainless steel.

Certificate: -
Warranty: 20 years (non moveable parts)

Spare Parts / Accessories:

- 14709100000, Kleenex Pop-up tissue
- 14970102187, Screw, DIN 7380, M4x6 A2
- P0000000453, Accessories f/dispensers, Ø4,5x70/plug 8x40,set a' 3 pcs
- 14983400340, Drill template: Tissue dispenser

Related Products:

Mounting:
Ø4,5x70mm with plug 8x40mm. Please use the correct screws and plugs for the type of wall

Packing
1 pcs. per kolli

Maintenance:
Wash down with mild detergent, rinse off with clean water and dry off with soft dry cloth.

Environment:
No environmental risk and no risk of fire