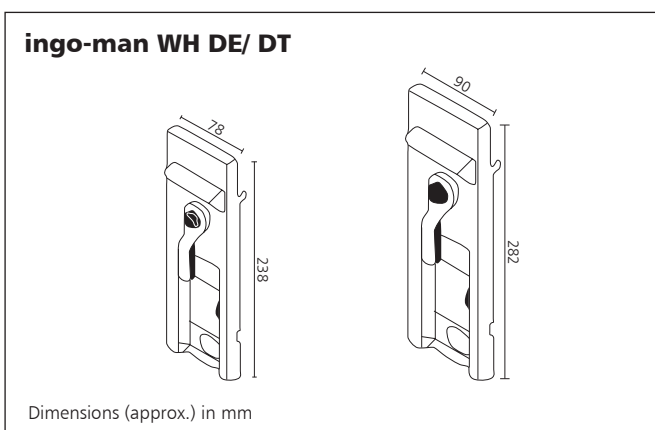
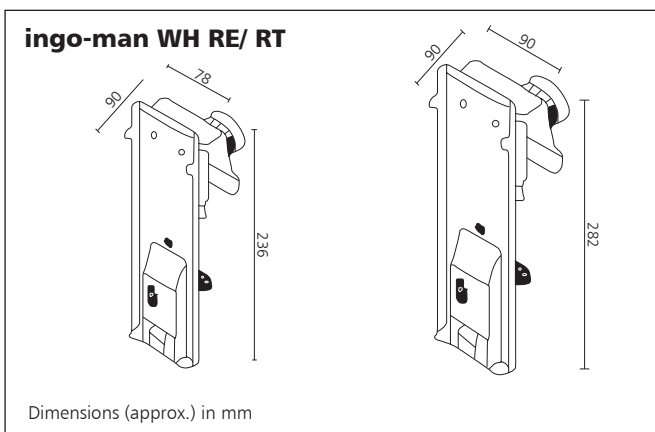
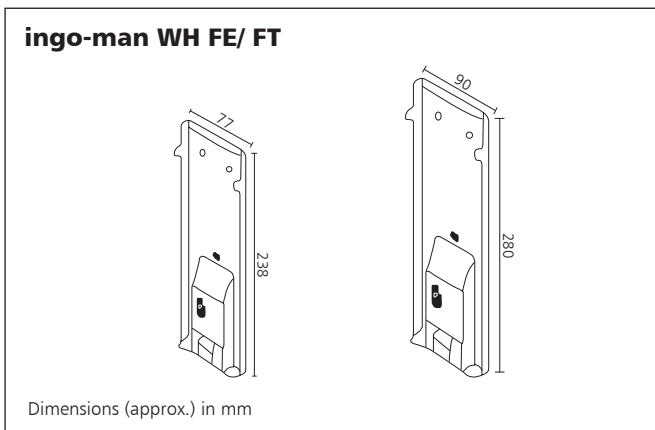
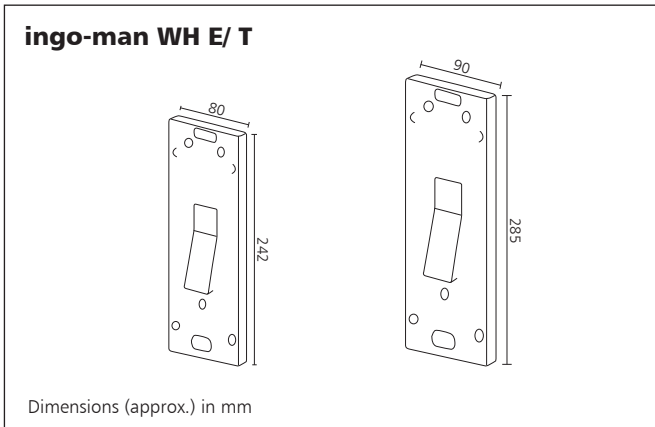


# ingo-man® WH E/ T/ F/ R/ D

wall holder and adapter bracket made of stainless steel  
for ingo-man® dispenser  
for special applications



Ophardt Hygiene-Technik GmbH + Co. KG  
Lindenau 27 • D-47661 Issum  
Tel.: +49 2835 18-0 • Fax: +49 2835 18-77  
E-Mail: info@ophardt.com • www.ophardt.com



## Wall holder and adapter bracket

- Wall holder:
- ▶ for ingo-man dispensers of the series 24, 25, 26, with 500 ml and 1000 ml receptacles
  - ▶ also for aluminium dispensers of the series IMP, with 500 ml or 1000 ml receptacles
  - ▶ for dispensers with aluminium and stainless steel-housing
- Adapter bracket:
- ▶ for ingo-man dispensers of the series 24, 25, 26, with 500 ml and 1000 ml receptacles
  - ▶ also for aluminium dispensers of the series IMP, with 500 ml or 1000 ml receptacles
  - ▶ for dispensers with aluminium housing

## Technical Data

Material: Stainless steel

## Description for tender

..... pcs. **ingo-man WH E24/25/26 E Art.-No. 384100**  
stainless steel wall holder,  
for 500 ml ingo-man dispensers (series 24 - 26),  
for stainless steel housings

..... pcs. **ingo-man WH T24/25/26 E Art.-No. 212600**  
stainless steel wall holder,  
for 1000 ml ingo-man dispensers (series 24 - 26),  
for stainless steel housings

..... pcs. **ingo-man WH E24/25/26 E Art.-No. 452200**  
stainless steel wall holder,  
for 500 ml ingo-man dispensers (series 24 - 26),  
for aluminium housings

..... pcs. **ingo-man WH T24/25/26 E Art.-No. 650900**  
stainless steel wall holder,  
for 1000 ml ingo-man dispensers (series 24 - 26),  
for aluminium housings

..... pcs. **ingo-man WH FE Art.-Nr. 1414938**  
stainless steel front removal wall holder,  
for 500 ml ingo-man dispensers (series 24 - 26),  
for aluminium housings

..... pcs. **ingo-man WH FT Art.-Nr. 1414940**  
stainless steel front removal wall holder,  
for 500 ml ingo-man dispensers (series 24 - 26),  
for aluminium housings

..... pcs. **ingo-man WH RE Art.-Nr. 1414936**  
dispenser holding device for tubular frames,  
round, stainless steel,  
for 500 ml ingo-man dispensers (series 24 - 26),  
for aluminium housings

..... pcs. **ingo-man WH RT Art.-Nr. 1414934**  
dispenser holding device for tubular frames,  
round, stainless steel,  
for 1000 ml ingo-man dispensers (series 24 - 26),  
for aluminium housings

**please turn round - resumption at the overleaf!**

Continued tender:  
**ingo-man<sup>®</sup> WH E/ T/ F/ R/ D**



Ophardt Hygiene-Technik GmbH + Co. KG  
Lindenau 27 • D-47661 Issum  
Tel.: +49 2835 18-0 • Fax: +49 2835 18-77  
E-Mail: info@ophardt.com • www.ophardt.com

. . . . . pcs.      **ingo-man WH DE**      **Art.-No. 1414932**  
dispenser holding device for dräger rail,  
stainless steel,  
for 500 ml ingo-man dispensers (series 24 - 26),  
for aluminium housings

. . . . . pcs.      **ingo-man WH DT**      **Art.-No. 1414930**  
dispenser holding device for dräger rail,  
stainless steel,  
for 1000 ml ingo-man dispensers (series 24 - 26),  
for aluminium housings

Product:      **ingo-man<sup>®</sup>**  
Manufacturer:      OPHARDT HYGIENE-TECHNIK GmbH + Co. KG