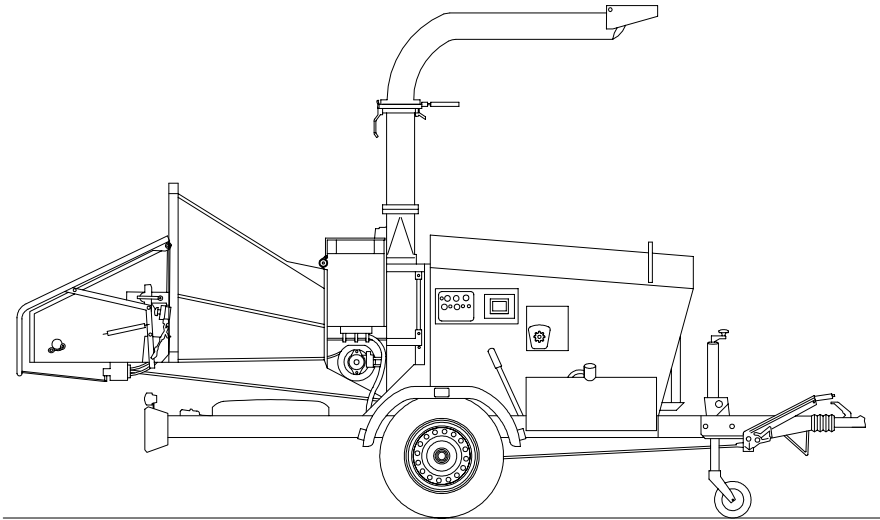


SPARE PARTS LIST

CHIPPER

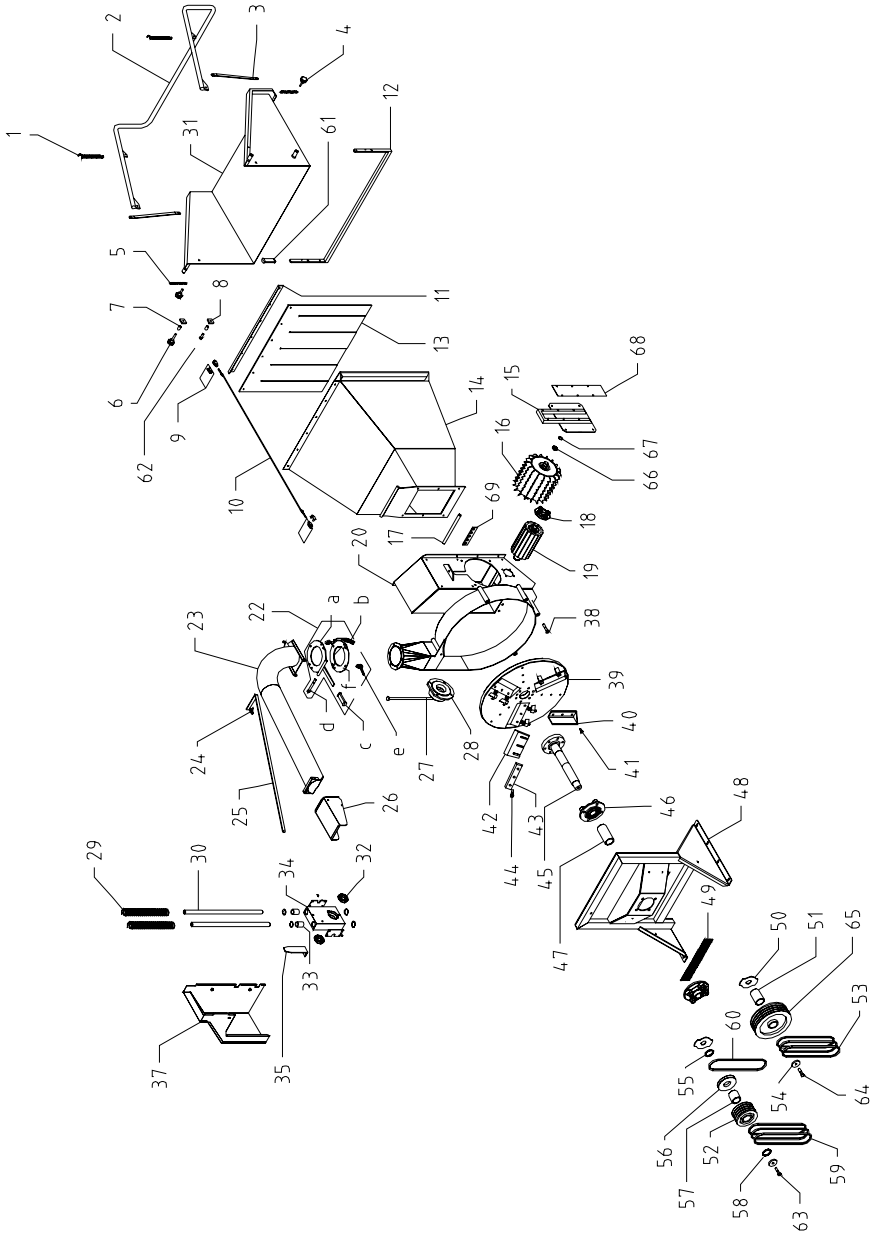
CIPPO 25



Cippo 25 - TABLE 1 – Basic Machine

Pos.	Description	Qty	Part No.
1	Control spring	2	CP25010001
2	Roller control lever	1	CP25010002
3	Galvanised plate	2	CP25010003
4	M 10x40 knob	2	CP25010004
5	Chain	2	CP25010005
6	M 10x60 knob	1	CP25010006
7	Spacer ϕ 18x30	2	CP25010007
8	Adjusting plate	2	CP25010008
9	M 10 Fork	2	CP25010009
10	Control cable	1	CP25010010
11	Angle protection rubber	1	CP25010011
12	Transmission bar	1	CP25010012
13	Protection rubber	1	CP25010013
14	Hopper	1	CP25010014
15	Roller guard	1	CP25010015
16	Floating roller	1	CP25010016
17	Pin hopper hinge	1	CP25010017
18	Support UCFC 206	1	CP25010018
19	Fixed roller	1	CP25010019
20	Chipping box	1	CP25010020
22	Outlet pipe hinge unit	1	CP25010022
22a	Top flange	1	CP25010022a
22b	Bottom flange with hook	1	CP25010022b
22c	Handle 25x8	1	CP25010022c
22d	Hex. screw M 12x180	1	CP25010022d
22e	Spring handle	1	CP25010022e
22f	Bottom flange	1	CP25010022f
23	Elbow	1	CP25010023
24	M8 MA knob or wing nut	1	CP25010024
25	Cover adjusting bar	1	CP25010025
26	Cover	1	CP25010026
27	Chipping box pin	1	CP25010027
28	Hydraulic motor support	1	CP25010028
29	Cast iron block spring	2	CP25010029
30	Cast iron block pin	2	CP25010030
31	Hopper extension	1	CP25010031
32	Bearing 6010	2	CP25010032
33	Bearing HK 3050	2	CP25010033

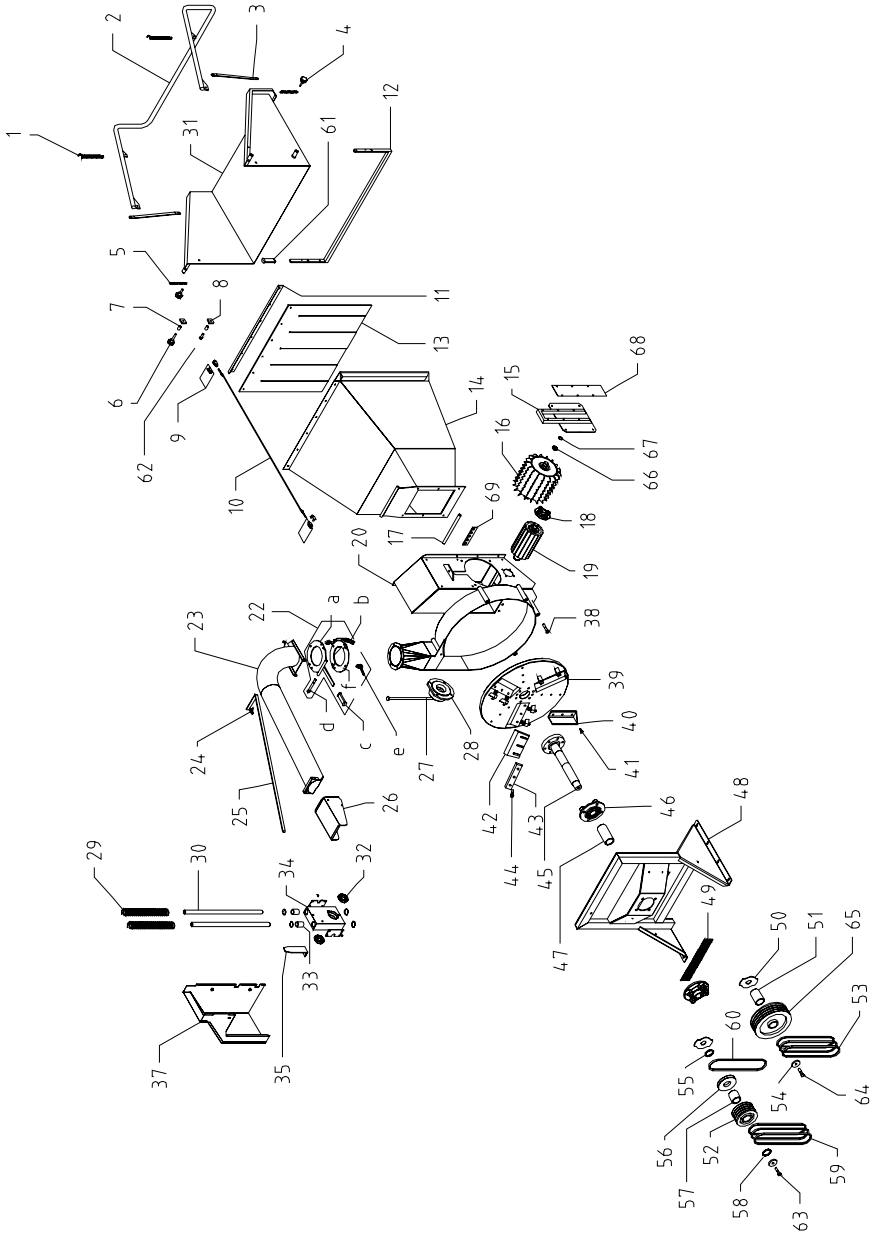
Cippo 25 - TABLE 1 – Basic Machine



Cippo 25 - TABLE 1 – Basic Machine

Pos.	Description	Qty	Part No.
34	Cast iron block	1	CP25010034
35	Floating roller guard	1	CP25010035
37	Cast iron block guard	1	CP25010037
38	Hex. screw M 14x70	5	CP25010038
39	Chipping disk	1	CP25010039
40	Blade	3	CP25010040
41	Hex. screw M 12x35	9	CP25010041
42	Blade plate	3	CP25010042
43	Chipping blade	3	CP25010043
44	Hex. screw M 14x50	15	CP25010044
45	Driving shaft	1	CP25010045
46	Support UCFC 212	2	CP25010046
47	Spacer ϕ 70x148	1	CP25010047
48	Counter-frame	1	CP25010048
49	Protection grille	1	CP25010049
50	Rpm count dial	1	CP25010050
51	Spacer ϕ 70x105 (D)	1	CP25010051
52	Pulley 4B 160 (PTO)	1	CP25010052
53	Belt B-52 (D)	3	CP25010053
54	Stop washer ϕ 65x10	1	CP25010054
55	Spacer ϕ 70x10 (PTO)	1	CP25010055
56	Pulley 1A 140 (PTO)	1	CP25010056
57	Spacer ϕ 70x70 (PTO)	1	CP25010057
58	Spacer ϕ 63x8 (PTO)	1	CP25010058
59	Belt B-39 (PTO)	3	CP25010059
60	Belt A-38 (PTO)	1	CP25010060
61	25x8 knob	1	CP25010061
62	Hex. screw M 8x60	1	CP25010062
63	End screw (PTO)	1	CP25010063
64	End screw (D)	1	CP25010064
65	Pulley 4B 280 (D)	1	CP25010065
66	Bearing	1	CP25010066
67	Snap ring	1	CP25010067
68	Zinc-plated sheet metal	1	CP25010068
69	Counterblade	1	CP25010069

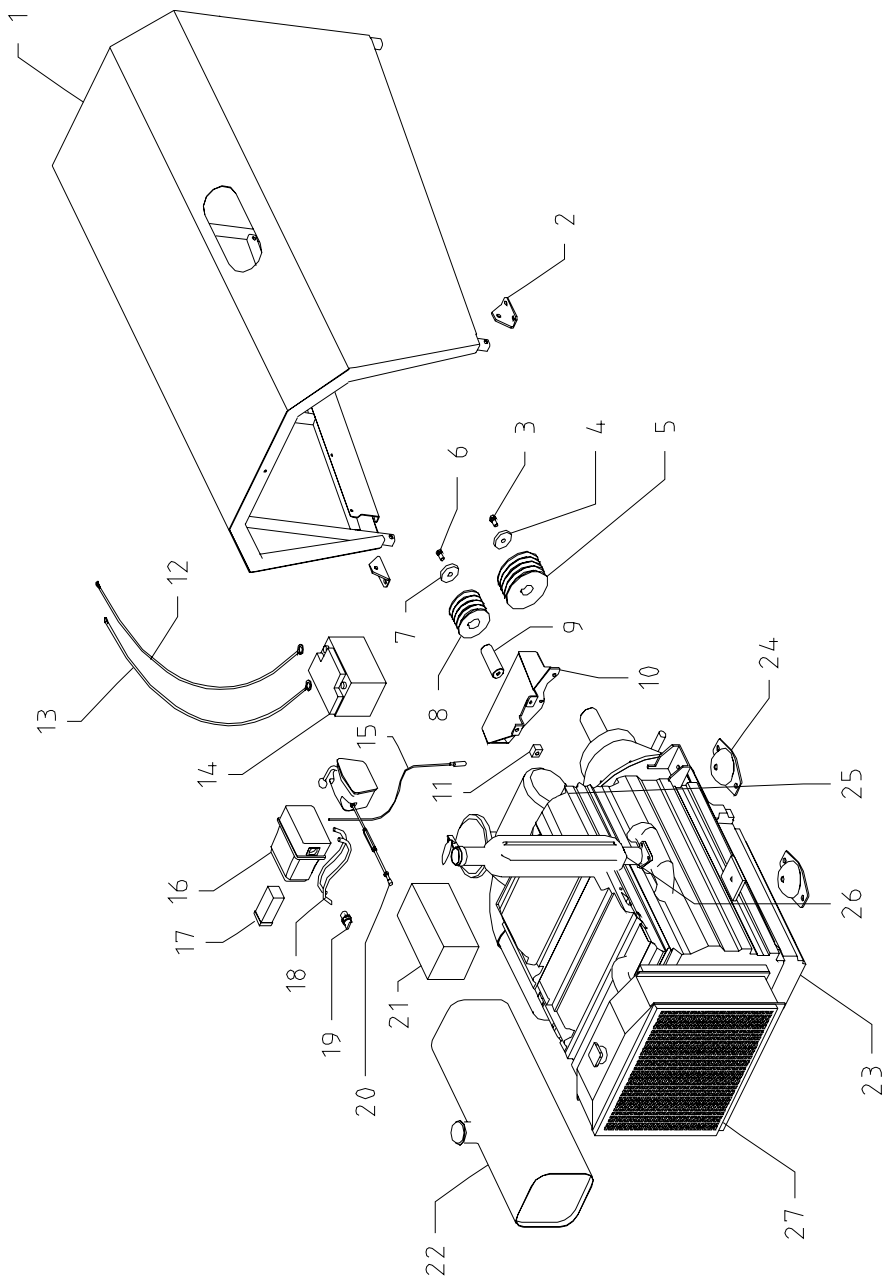
Cippo 25 - TABLE 1 – Basic Machine



Cippo 25 - TABLE 2 – Diesel Transmission

Pos.	Description	Qty	Part No.
1	Engine bonnet	1	CP25020001
2	Bonnet angle	2	CP25020002
3	Drive shaft end screw	1	CP25020003
4	Stop washer	1	CP25020004
5	Pulley 4B 160	1	CP25020005
6	Tensioning device end screw	1	CP25020006
7	Stop washer	1	CP25020007
8	Pulley 4B 100	1	CP25020008
9	Tensioning device pin	1	CP25020009
10	Tensioning device support	1	CP25020010
11	Adjusting block	1	CP25020011
12	Battery cable +	1	CP25020012
13	Battery cable -	1	CP25020013
14	Supply battery	1	CP25020014
15	No-stress sensor	1	CP25020015
16	No-stress box	1	CP25020016
17	Electronic no-stress	1	CP25020017
18	No-stress cable	1	CP25020018
19	ON / OFF switch	1	CP25020019
20	Accelerator unit	1	CP25020020
21	Engine panel	1	CP25020021
22	Fuel oil tank	1	CP25020022
23	Diesel engine	1	CP25020023
24	Vibration-damping support	4	CP25020024
25	Air filter	1	CP25020025
26	Silencer	1	CP25020026
27	Radiator	1	CP25020027

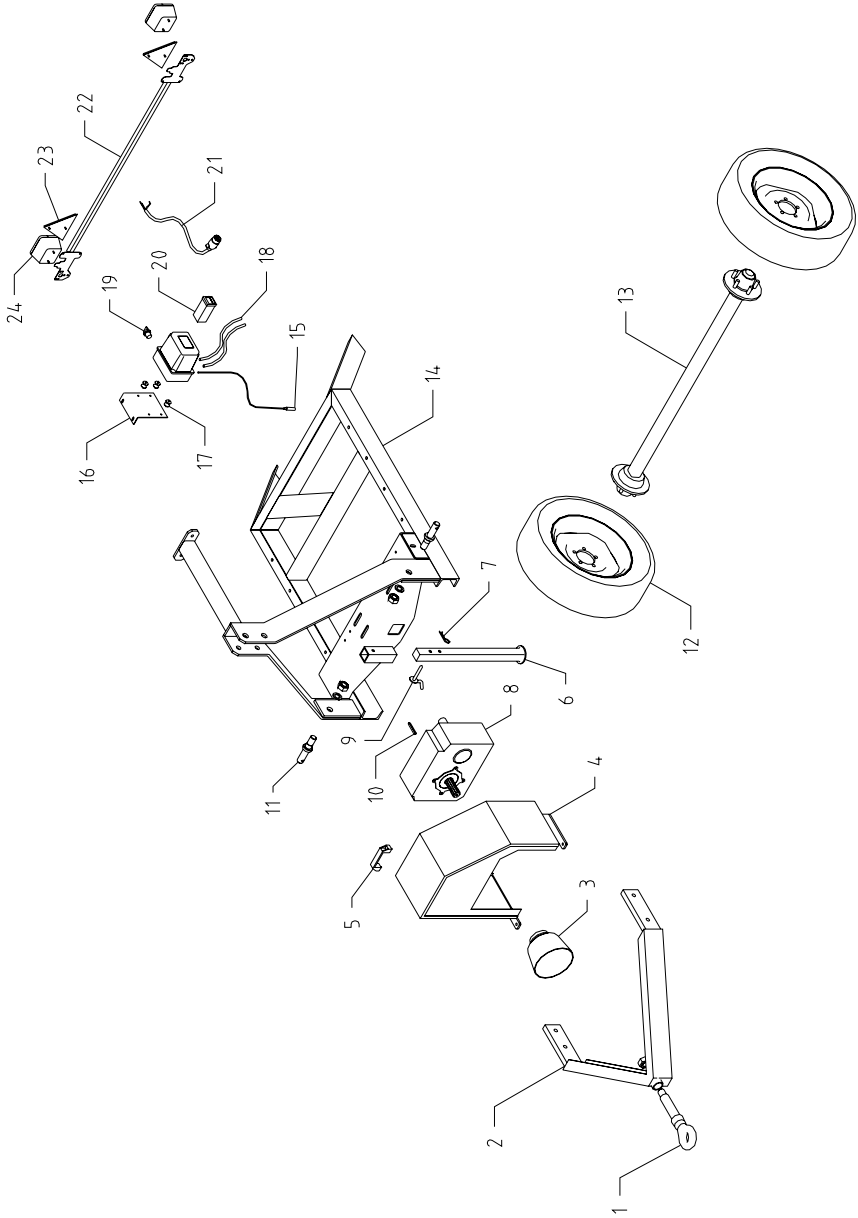
Cippo 25 - TABLE 2 – Diesel Transmission



Cippo 25 - TABLE 3 – PTO TRANSMISSION

Pos.	Description	Q.ty	Part No.
1	Towing eye	1	CP25030001
2	V Shaft	1	CP25030002
3	PTO cover	1	CP25030003
4	Belt guard	1	CP25030004
5	Handle	1	CP25030005
6	Leg	1	CP25030006
7	R plug	1	CP25030007
8	Reduction gear	1	CP25030008
9	Locking pin	1	CP25030009
10	Key	1	CP25030010
11	3 rd point gudgeon pin	1	CP25030011
12	Wheel used in agriculture	2	CP25030012
13	Axle used in agriculture	1	CP25030013
14	Framework for PTO	1	CP25030014
15	No-stress sensor	1	CP25030015
16	No-stress support	1	CP25030016
17	Vibration-damping leg	4	CP25030017
18	No-stress cable	1	CP25030018
19	ON / OFF switch	1	CP25030019
20	No-stress electronics	1	CP25030020
21	Light bar cabling	1	CP25030021
22	Agriculture light bar	1	CP25030022
23	Triangle retroreflector	2	CP25030023
24	Light box	2	CP25030024

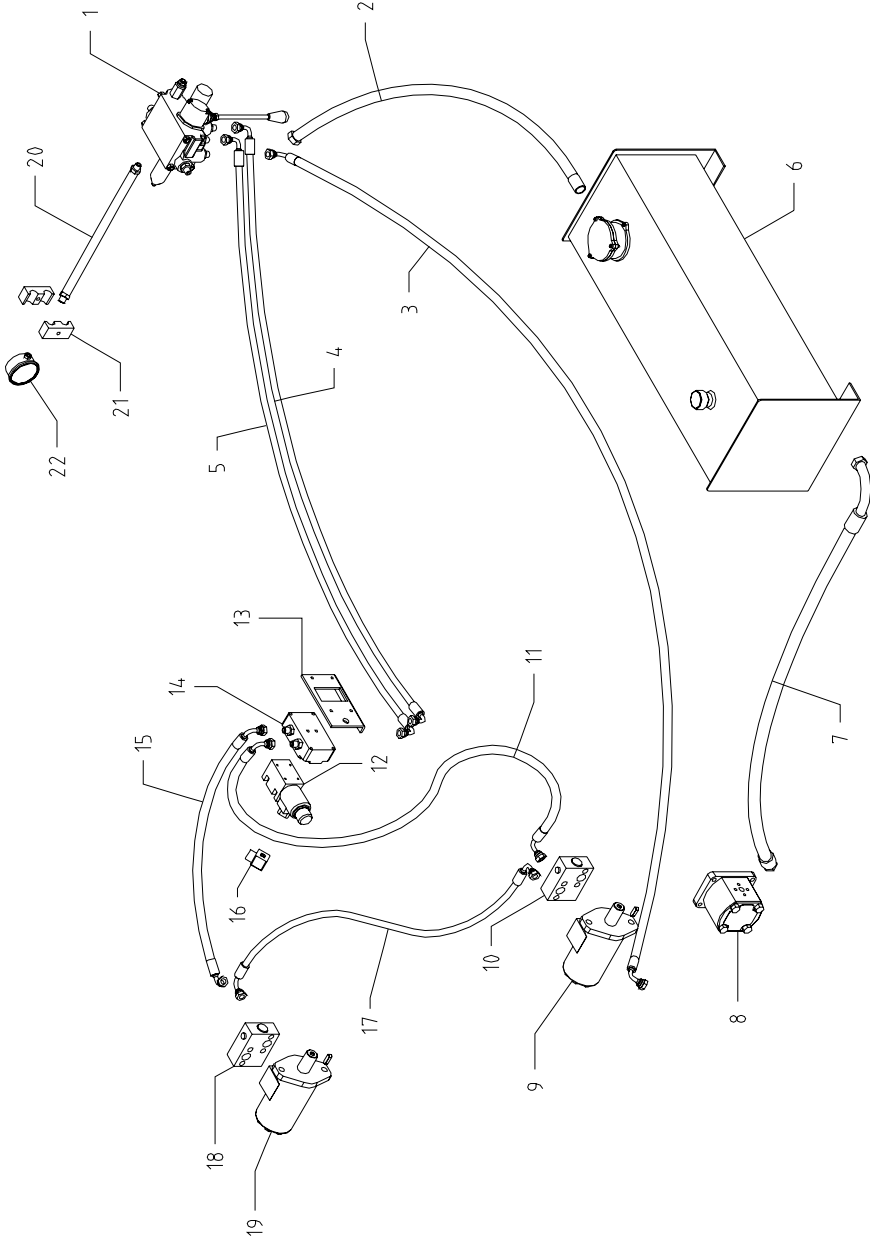
Cippo 25 - TABLE 3 – PTO TRANSMISSION



Cippo 25 - TABLE 4 – D Hydraulic System

Pos.	Description	Qty	Part No.
1	Distributor	1	CP25040001
2	Hydraulic pipe	1	CP25040002
3	Hydraulic pipe	1	CP25040003
4	Hydraulic pipe	1	CP25040004
5	Hydraulic pipe	1	CP25040005
6	Oil tank	1	CP25040006
7	Hydraulic pipe	1	CP25040007
8	Hydraulic pump	1	CP25040008
9	Orbital hydraulic motor (fixed)	1	CP25040009
10	Hydraulic valve	1	CP25040010
11	Hydraulic pipe	1	CP25040011
12	12 V solenoid valve	1	CP25040012
13	Solenoid valve base support	1	CP25040013
14	12 V solenoid valve base	1	CP25040014
15	Hydraulic pipe	1	CP25040015
16	12 V solenoid valve connector	1	CP25040016
17	Hydraulic pipe	1	CP25040017
18	Hydraulic valve	1	CP25040018
19	Orbital hydraulic motor (floating)	1	CP25040019
20	Hydraulic pipe	1	CP25040020
21	Pipe clip	1	CP25040021
22	Pressure gauge	1	CP25040022

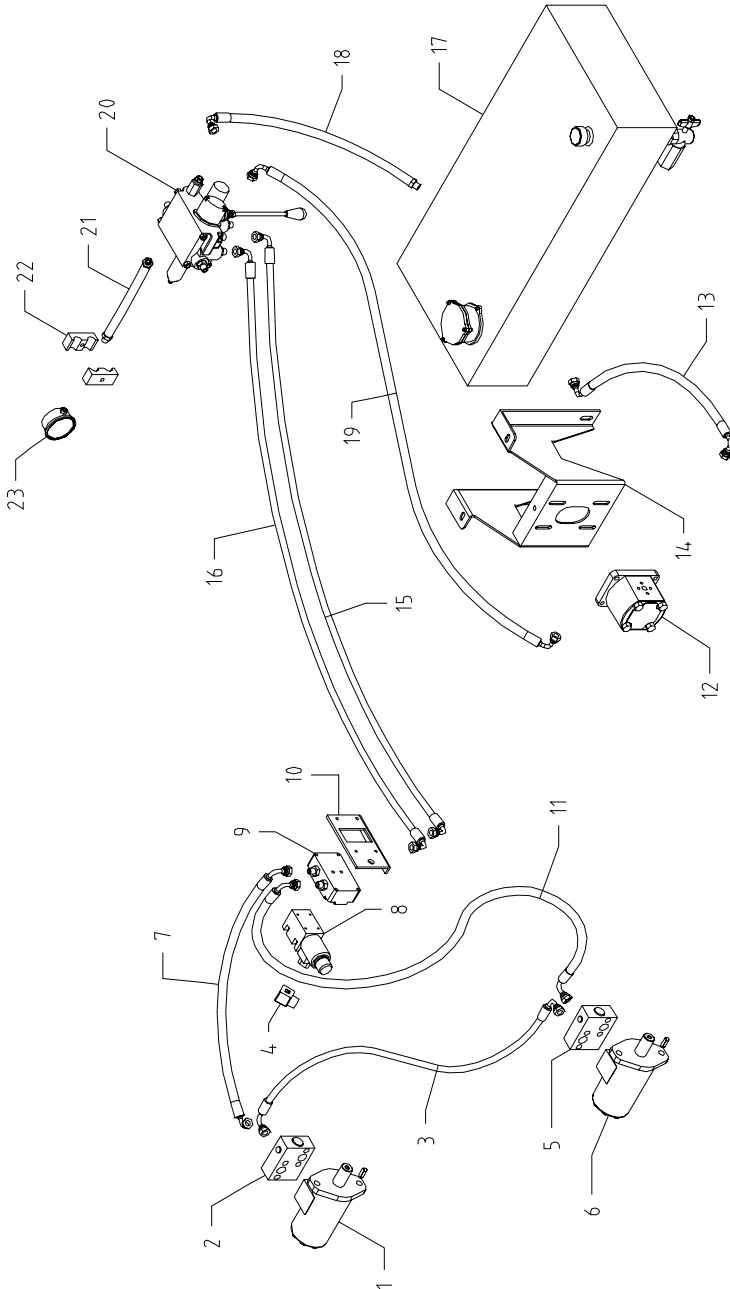
Cippo 25 - TABLE 4 – D Hydraulic System



Cippo 25 - TABLE 5 – PTO Hydraulic System

Pos.	Description	Qty	Part No.
1	Floating roller hydraulic motor	1	CP25050001
2	Limiting valve	1	CP25050002
3	Hydraulic pipe	1	CP25050003
4	12 V solenoid valve connector	1	CP25050004
5	Limiting valve	1	CP25050005
6	Fixed roller hydraulic motor	1	CP25050006
7	Hydraulic pipe	1	CP25050007
8	12 V solenoid valve	1	CP25050008
9	12 V solenoid valve base	1	CP25050009
10	Solenoid valve base support	1	CP25050010
11	Hydraulic pipe	1	CP25050011
12	Hydraulic pump	1	CP25050012
13	Hydraulic pipe	1	CP25050013
14	Hydraulic pump support	1	CP25050014
15	Hydraulic pipe	1	CP25050015
16	Hydraulic pipe	1	CP25050016
17	Hydraulic oil tank	1	CP25050017
18	Hydraulic pipe	1	CP25050018
19	Hydraulic pipe	1	CP25050019
20	Distributor	1	CP25050020
21	Hydraulic pipe	1	CP25050021
22	Pipe clip	1	CP25050022
23	Pressure gauge	1	CP25050023

Cippo 25 - TABLE 5 – PTO Hydraulic System

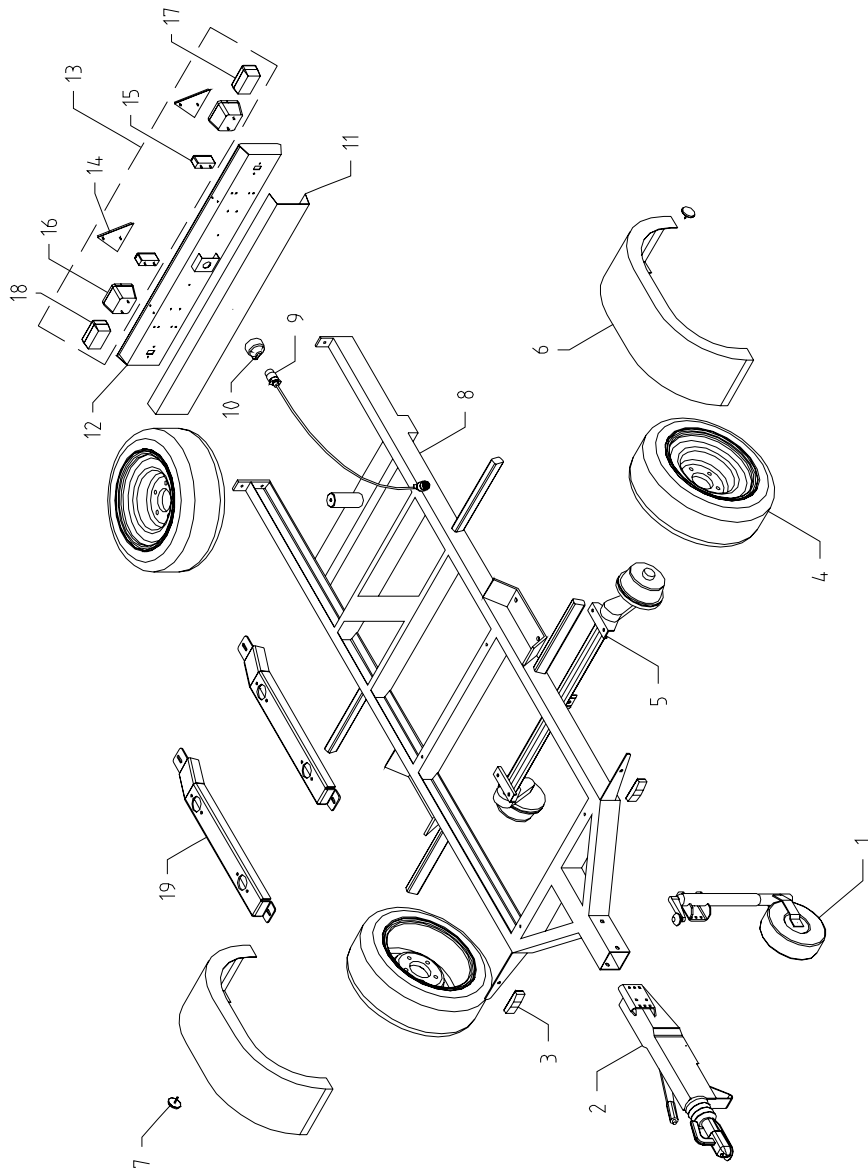


Cippo 25 - TABLE 6 –80 Km / h trailer

Pos.	Description	Qty	Part No.
1	Supporting caster	1	CP25060001
2	Q 251 S Distance pin	1	CP25060002
3	Front clearance light	2	CP25060003
4	Pneumatic	2+1	CP25060004
5	Axle with sheathing	1	CP25060005
6	Plastic mud guard	2	CP25060006
7	Side clearance reflector	2	CP25060007
8	Framework	1	CP25060008
9	Lighting system cabling	1	CP25060009
10	Power plug	1	CP25060010
11	Light bar protection	1	CP25060011
12	Light bar	1	CP25060012
13	Complete light kit	1	CP25060013
14	Rear clearance reflector	2	CP25060014
15	Nameplate light	2	CP25060015
16	Position-stop-direction light	2	CP25060016
17	Rear fog light	1	CP25060017
18	Reverse light*	1	CP25060018
19	Motor support cross member	2	CP25060019

* Optional accessory

Cippo 25 - TABLE 6 -80 Km / h trailer



CARAVAGGI MACCHINE INDUSTRIALI
Via Monte Adamello , 20
25037 Pontoglio (BS) - ITALY
Tel. +39 030 7470464 - Fax +39 030 7470004
Internet <http://www.caravaggi.com>
Email info@caravaggi.com