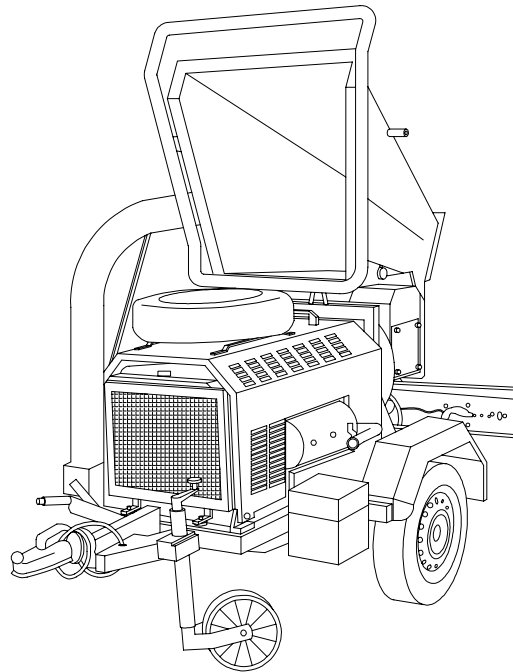


## SPARES LIST

# Cippo 15



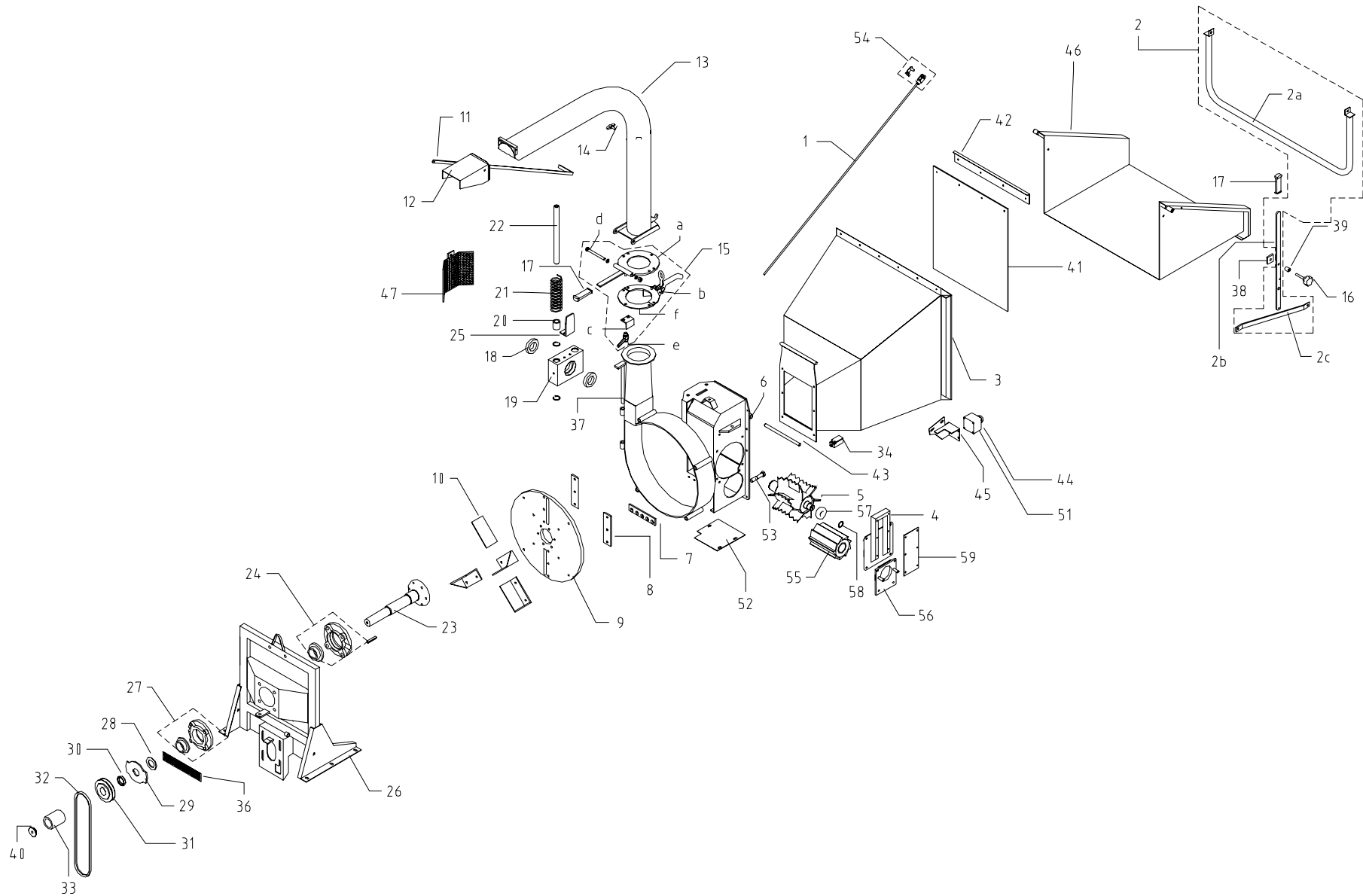
## INDEX

<b>TAV. 1</b>	<b>Basic Machine</b>
<b>TAV. 2</b>	<b>Petrol Transmission HP 20</b>
<b>TAV. 3</b>	<b>4 wheels trailer</b>
<b>TAV. 4</b>	<b>Road trailer 80 Km/h</b>
<b>TAV. 5</b>	<b>Hydraulic System</b>
<b>TAV. 6</b>	<b>Diesel Transmission HP 27 D (L)</b>
<b>TAV. 7</b>	<b>PTO Transmission</b>

POS.	DESCRIPTION	Q.TY	CODE
1	Feed roller command cable	1	CP15010001
2	Feed roller command bar	1	CP15010002
2a	Command lever	1	CP15010002a
2b	Plate	1	CP15010002b
2c	Feed roller command assembly	1	CP15010002c
3	Short hopper ( PTO )	1	CP15010003
4	Inspection plate	1	CP15010004
5	Feed roller	1	CP15010005
6	Chipper case	1	CP15010006
7	Counter blade	1	CP15010007
8	Chipper blade	2	CP15010008
9	Chipper disc	1	CP15010009
10	Vane	4	CP15010010
11	Adjustment chute bar	1	CP15010011
12	Discharge chute	1	CP15010012
13	Adjustable discharge stack	1	CP15010013
14	Wing 6E M10x30	1	CP15010014
15	Discharge tube hinge assembly	1	CP15010015
15a	Upper flange	1	CP15010015a
15b	Flange with hook	1	CP15010015b
15c	Angle plate	1	CP15010015c
15d	Screw TE M10x150	1	CP15010015d
15e	Handle	1	CP15010015e
15f	Lower flange	1	CP15010015f
16	Wing 6E M 10x60	2	CP15010016
17	Handle grip 25x8	2	CP15010017
18	Bearing 6010 2RS	2	CP15010018
19	Aluminium block	1	CP15010019
20	Bearing brass	4	CP15010020
21	Spring	2	CP15010021
22	Pin $\phi$ 25	2	CP15010022
23	Shaft	1	CP15010023
24	Bearing UCFC 211	1	CP15010024
25	Feed roller protection	1	CP15010025
26	Counter frame for chipper case	1	CP15010026

POS.	DESCRIPTION	Q.TY	CODE
27	Bearing UCFC 210	1	CP15010027
28	Spacer for counter rews disc	1	CP15010028
29	Counter rews disc	1	CP15010029
30	Spacer H=10	1	CP15010030
31	Pulley 1A 118	1	CP15010031
32	Belt A-39	1	CP15010032
33	Spacer	1	CP15010033
34	Safety switch	1	CP15010034
36	Drilled plate	1	CP15010036
37	Pin for hinge case	1	CP15010037
38	Plate	1	CP15010038
39	Spacer	1	CP15010039
40	Washer	1	CP15010040
41	Protection rubber	1	CP15010041
42	Angle plate	1	CP15010042
43	Pin for hinge hopper	1	CP15010043
44	Emergency button ( petrol )*	1	CP15010044
45	Support for emergency button*	1	CP15010045
46	Hopper extension	1	CP15010046
47	Aluminium block protection	1	CP15010047
48	Screw M8x160*	1	CP15010048
49	Safety switch key*	1	CP15010049
50	Safety switch*	1	CP15010050
51	Emergency button ( diesel )*	1	CP15010051
52	Galvanized protection	1	CP15010052
53	Screw M16x80	5	CP15010053
54	Fork M 8	1	CP15010054
55	Fixed feed roller	1	CP15010055
56	Fixed feed roller inspection plate	1	CP15010056
57	Bearing 6306 2 RS	1	CP15010057
58	Seeger ring E-30	1	CP15010058
59	Guide plate	1	CP15010059

\* Optional item



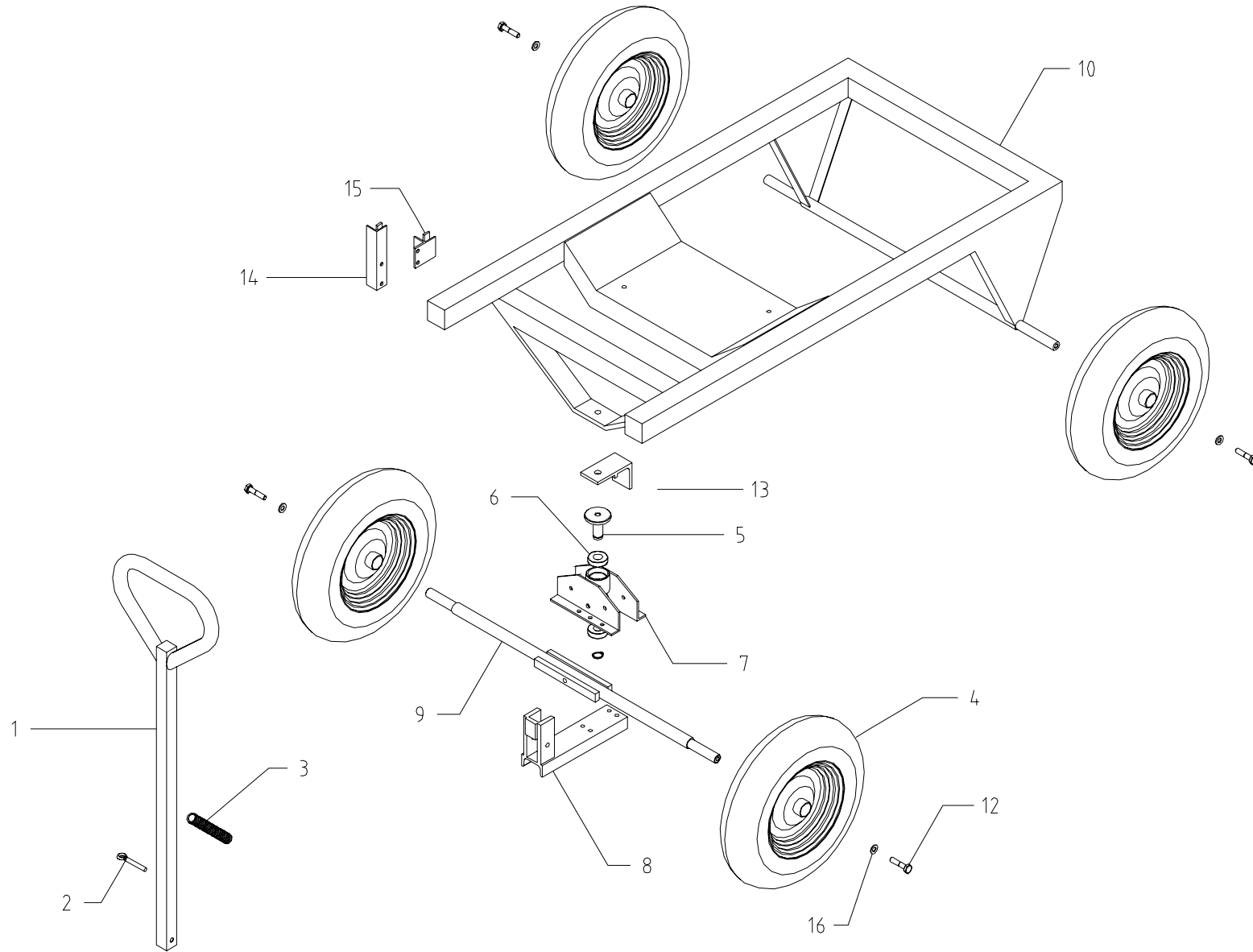
**Cippo 15****TABLE 2 - Petrol transmission HP 20 B**

POS.	DESCRIPTION	Q.TY	CODE
1	Engine Honda GX 620 with wiring	1	CP15020001
2	Flywheel	1	CP15020002
3	Centrifugal rubber $\phi$ 155	1	CP15020003
4	Aluminium star	1	CP15020004
5	Half bearing with pulley	1	CP15020005
6	Washer	1	CP15020006
7	Idler support	1	CP15020007
8	Washer	1	CP15020008
9	Idler	1	CP15020009
10	Washer	1	CP15020010
11	Pulley 2B 224	1	CP15020011
12	Belt B-41	2	CP15020012
13	Fuel tank	1	CP15020013
14	Electronic no-stress device	1	CP15020014
15	Battery	1	CP15020015
16	Engine cover	1	CP15020016
17	Wing 6E M10x40	2	CP15020017
18	Hand grip	1	CP15020018
19	Centrifugal clutch assembly	1	CP15020019
20	Counter hours support	1	CP15020020
21	Counter hours	1	CP15020021
22	Screw 3/8" UNF	1	CP15020022
23	Plate for engine basement	1	CP15020023
24	Muffler (Old version K0)	1	CP15020024
25	No-stress box switch	1	CP15020025

POS.	DESCRIPTION	Q.TY	CODE
26	Seeger ring $\phi$ 20	2	CP15020026
27	Bearing 6004 2RS	2	CP15020027
28	Plate for tank clamp	2	CP15020028
29	Tank support	1	CP15020029
30	Safety switch	1	CP15020030
31	Plate	2	CP15020031
32	Battery box	1	CP15020032
33	Idler pin	1	CP15020033
34	No-stress starting box	1	CP15020034
35	Battery cable	2	CP15020035
36	Key	1	CP15020036
37	Shaft spacer	1	CP15020037
38	Vibration-vamping support	1	CP15020038
39	Vibration-vamping rubber	1	CP15020039
40	No-stress sensor	1	CP15020040



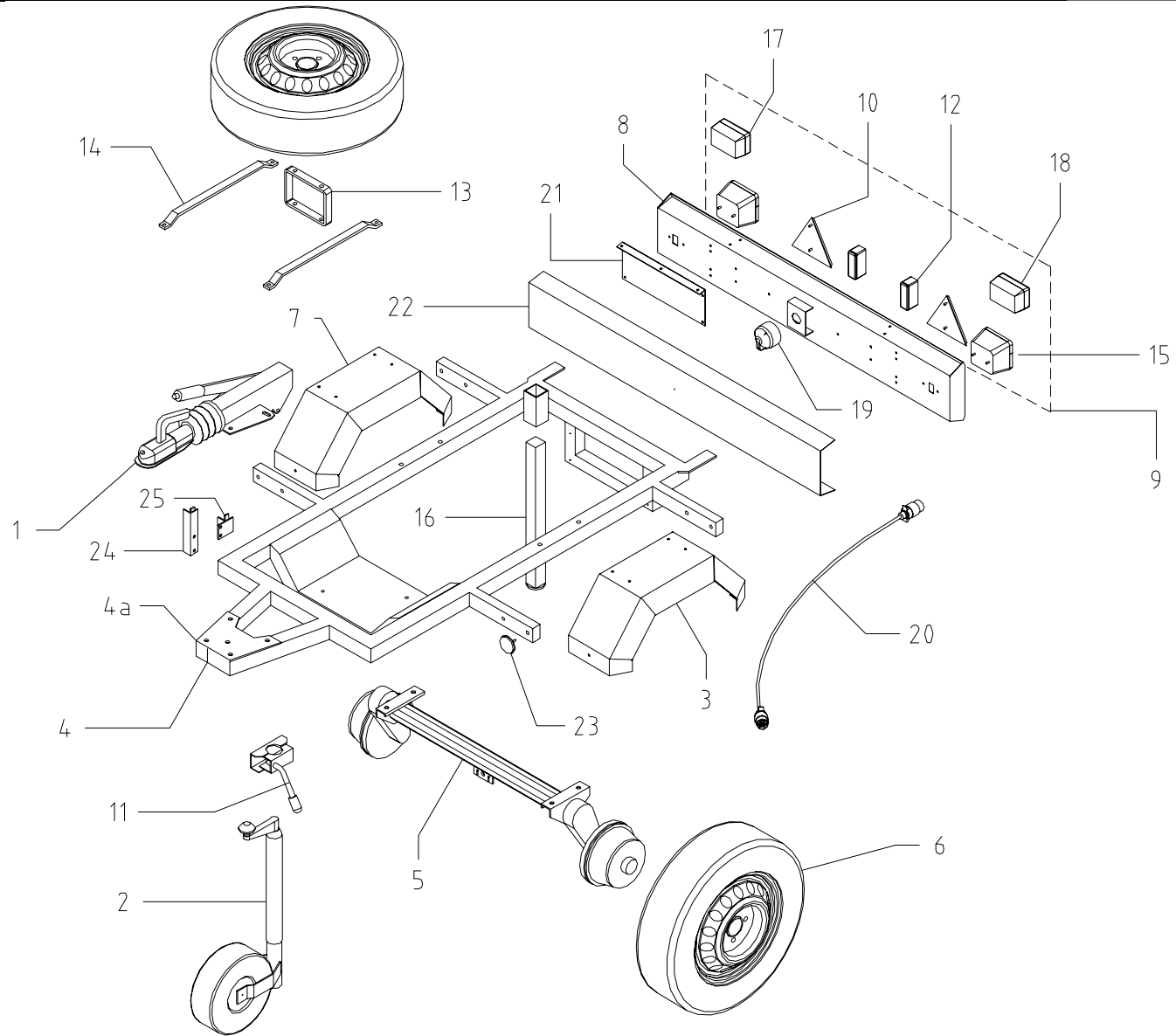
POS.	DESCRIPTION	Q.TY	CODE
1	Drawbar	1	CP15030001
2	Eye tightener M8	1	CP15030002
3	Spring	1	CP15030003
4	Wheel 3.50-8	4	CP15030004
5	Pin	1	CP15030005
6	Bearing 6004 Z	2	CP15030006
7	Swivelled support	1	CP15030007
8	Fixed support	1	CP15030008
9	Axle	1	CP15030009
10	Frame	1	CP15030010
11	Discharge support	1	CP15030011
12	Screw TE M10x20	4	CP15030012
13	Drawbar standstill	1	CP15030013
14	Discharge tube support (long)	1	CP15030014
15	Discharge tube support (short)	1	CP15030015
16	Washer $\phi$ 10x30	4	CP15030016





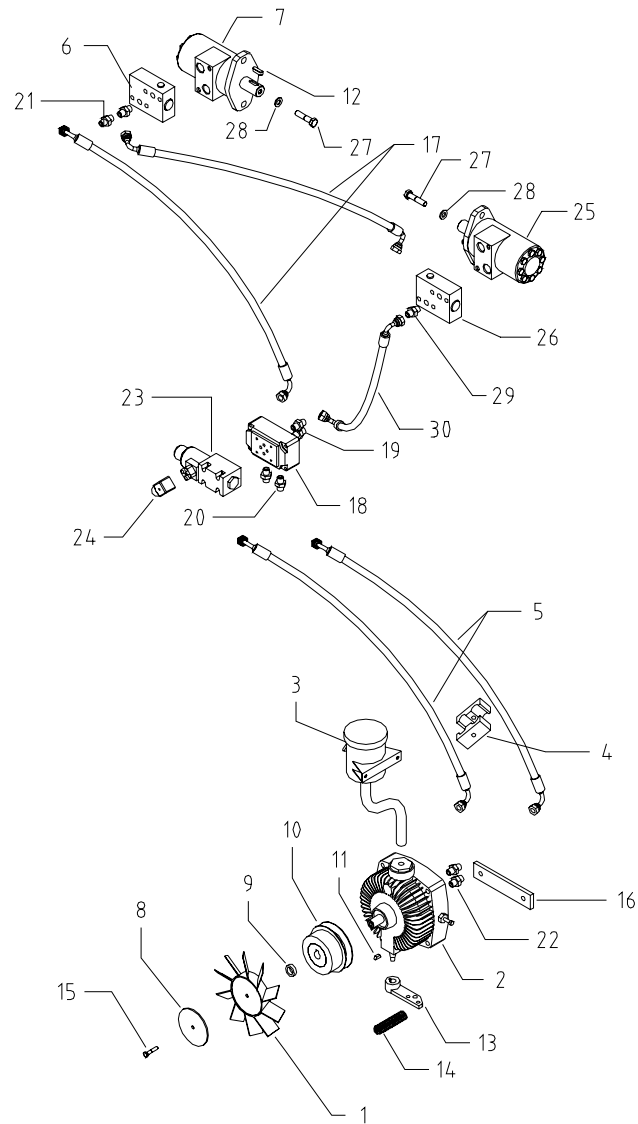
POS.	DESCRIPTION	Q.TY	CODE
1	Drawbar	1	CP15040001
2	Jockey wheel	1	CP15040002
3	Mudguard SX	1	CP15040003
4	Frame (Petrol version)	1	CP15040004
4a	Frame (Diesel version)	1	CP15040004a
5	Axle	1	CP15040005
6	Wheel	3	CP15040006
7	Mudguard DX	1	CP15040007
8	Lighting board	1	CP15040008
9	Lighting assembly	1	CP15040009
10	Rear reflector	2	CP15040010
11	Jockey wheel support	1	CP15040011
12	Number plate light	2	CP15040012
13	Support wheel	1	CP15040013
14	Support wheel	2	CP15040014
15	Lighting box DX + SX	2	CP15040015

POS.	DESCRIPTION	Q.TY	CODE
16	Rear support feet	1	CP15040016
17	Reverse motion lighting box	1	CP15040017
18	Reverse fog box lighting	1	CP15040018
19	Cable tap	1	CP15040019
20	Electric cable	1	CP15040020
21	Number plate support	1	CP15040021
22	Cable protection guard	1	CP15040022
23	Front reflector	1	CP15040023
24	Discharge tube support (long)	2	CP15040024
25	Discharge tube support (short)	1	CP15040025



**Cippo 15****TABLE 5 - Hydraulic system**

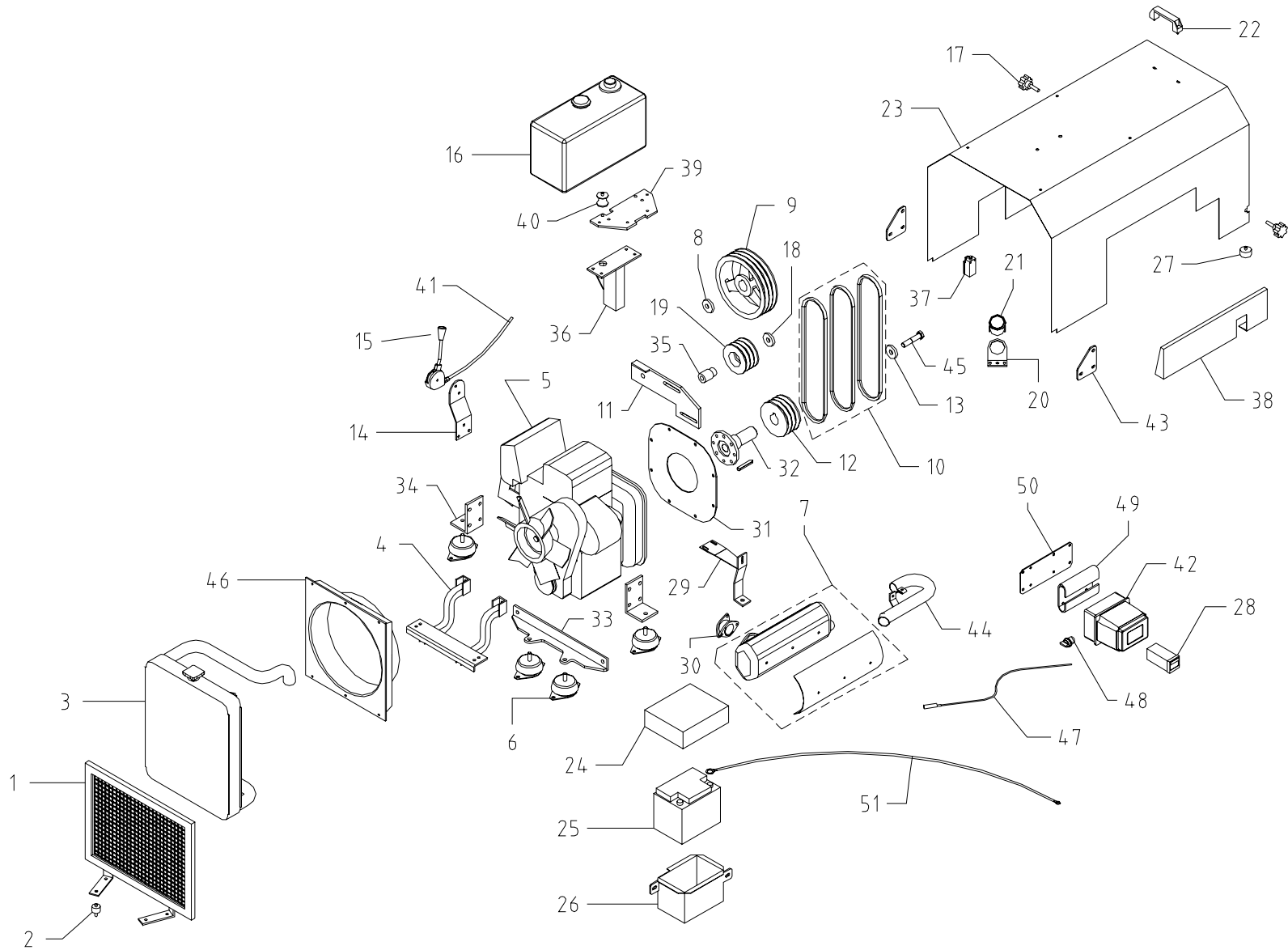
POS.	DESCRIPTION	Q.TY	CODE
1	Cooling fan	1	CP15050001
2	Hydraulic pump	1	CP15050002
3	Hydraulic oil tank	1	CP15050003
4	Hose support	1	CP15050004
5	Hose couple	1	CP15050005
6	Hydraulic valve	1	CP15050006
7	Hydraulic motor 400 cc	1	CP15050007
8	Washer	1	CP15050008
9	Spacer	1	CP15050009
10	Pulley 1A 95	1	CP15050010
11	Pump key	1	CP15050011
12	Hydraulic motor key	1	CP15050012
13	Pump command pin	1	CP15050013
14	Spring	1	CP15050014
15	Screw UNF	1	CP15050015
16	Pump plate	1	CP15050016
17	Hose couple	1	CP15050017
18	Electro-valve base	1	CP15050018
19	Nipple 1/4"	1	CP15050019
20	Nipple 1/4"	1	CP15050020
21	Nipple 1/4"	1	CP15050021
22	Nipple 1/4"	1	CP15050022
23	Electro-valve 12 V	1	CP15050023
24	Electro-valve connector 12 V	1	CP15050024
25	Hydraulic motor 250 cc	1	CP15050025
26	Hydraulic valve	1	CP15050026
27	Screw TE M8x45	2	CP15050027
28	Washer $\phi$ 9	2	CP15050028
29	Nipple 1/4 "	2	CP15050029
30	Hose	1	CP15050030



**Cippo 15****TABLE 6 - Diesel transmission HP 27 D (L)**

POS.	DESCRIPTION	Q.TY	CODE
1	Radiator protection	1	CP15060001
2	Vibration-vamping feet	4	CP15060002
3	Radiator	1	CP15060003
4	Radiator support	1	CP15060004
5	Diesel engine	1	CP15060005
6	Vibration-vamping support	4	CP15060006
7	Muffler	1	CP15060007
8	Washer	1	CP15060008
9	Pulley 3B 212	1	CP15060009
10	Belt B-43	3	CP15060010
11	Idler support	1	CP15060011
12	Engine pulley 3B 132	1	CP15060012
13	Washer	1	CP15060013
14	Accelerator support lever	1	CP15060014
15	Accelerator lever	1	CP15060015
16	Fuel tank	1	CP15060016
17	Wing 6E M10x40	2	CP15060017
18	Washer	1	CP15060018
19	Idler pulley 3B 105	1	CP15060019
20	Counter hour support	1	CP15060020
21	Counter hour	1	CP15060021
22	Hand grip	1	CP15060022
23	Engine case	1	CP15060023
24	Battery protection	1	CP15060024
25	Battery	1	CP15060025
26	Battery box	1	CP15060026
27	Vibration-vamping feet	1	CP15060027

POS.	DESCRIPTION	Q.TY	CODE
28	Electronic no-stress device	1	CP15060028
29	Muffler support	1	CP15060029
30	Muffler joint	1	CP15060030
31	Flange	1	CP15060031
32	Counter shaft	1	CP15060032
33	Engine front support	1	CP15060033
34	Engine rear support	2	CP15060034
35	Idler pulley pin	1	CP15060035
36	Tank support	1	CP15060036
37	Safety switch	1	CP15060037
38	Casing plate	1	CP15060038
39	Tank plate	1	CP15060039
40	Vibration-vamping feet	4	CP15060040
41	Cable accelerator assembly	1	CP15060041
42	No-stress starting box	1	CP15060042
43	Engine case plate	2	CP15060043
44	Mainfold	1	CP15060044
45	Screw TE M16x80	1	CP15060045
46	Conveyor	1	CP15060046
47	Sensor	1	CP15060047
48	No-stress switch	1	CP15060048
49	Vibration-vamping rubber	1	CP15060049
50	Vibration-vamping rubber support	1	CP15060050
51	Battery cable	2	CP15060051



POS.	DESCRIPTION	Q.TY	CODE
1	P.T.O. protection chute	1	CP15070001
2	Clamp	1	CP15070002
3	COMER gearbox	1	CP15070003
4	Plate	1	CP15070004
5	Split pin R	1	CP15070005
6	Pin	1	CP15070006
7	Bracket	2	CP15070007
8	3 <sup>rd</sup> point pin	2	CP15070008
9	Washer	1	CP15070009
10	Frame	1	CP15070010
11	Screw TE M12x200	1	CP15070011
12	Idler pin	1	CP15070012
13	Idler pulley 3B 105	1	CP15070013
14	Washer	1	CP15070014
15	Pulley 3B 140	1	CP15070015
16	Washer	1	CP15070016
17	Gearbox pulley 3B 140	1	CP15070017
18	Belt B-46	3	CP15070018

POS.	DESCRIPTION	Q.TY	CODE
19	Washer	1	CP15070019
20	Belt casing	1	CP15070020
21	Wheel 3.50-8	2	CP15070021
22	Cardan shaft*	1	CP15070022
23	Bracket spacer	1	CP15070023
24	Screw TE M12x30	1	CP15070024
25	Spacer Sp 18	1	CP15070025
26	Spacer Sp 50	1	CP15070026
27	Screw TE M16x35	1	CP15070027
28	Screw TE M12x30	1	CP15070028
29	Discharge tube support (long)	1	CP15070029
30	Discharge tube support (short)	1	CP15070030
31	Screw TE M10x20	2	CP15070031
32	Washer $\phi$ 10x30	2	CP15070032

\* Optional item

