

This Manual Must Be Read Before Operating The Equipment

# Owner / Operator's Manual



AccuSpray De-Icing Systems

FOR MODELS

HRK-020



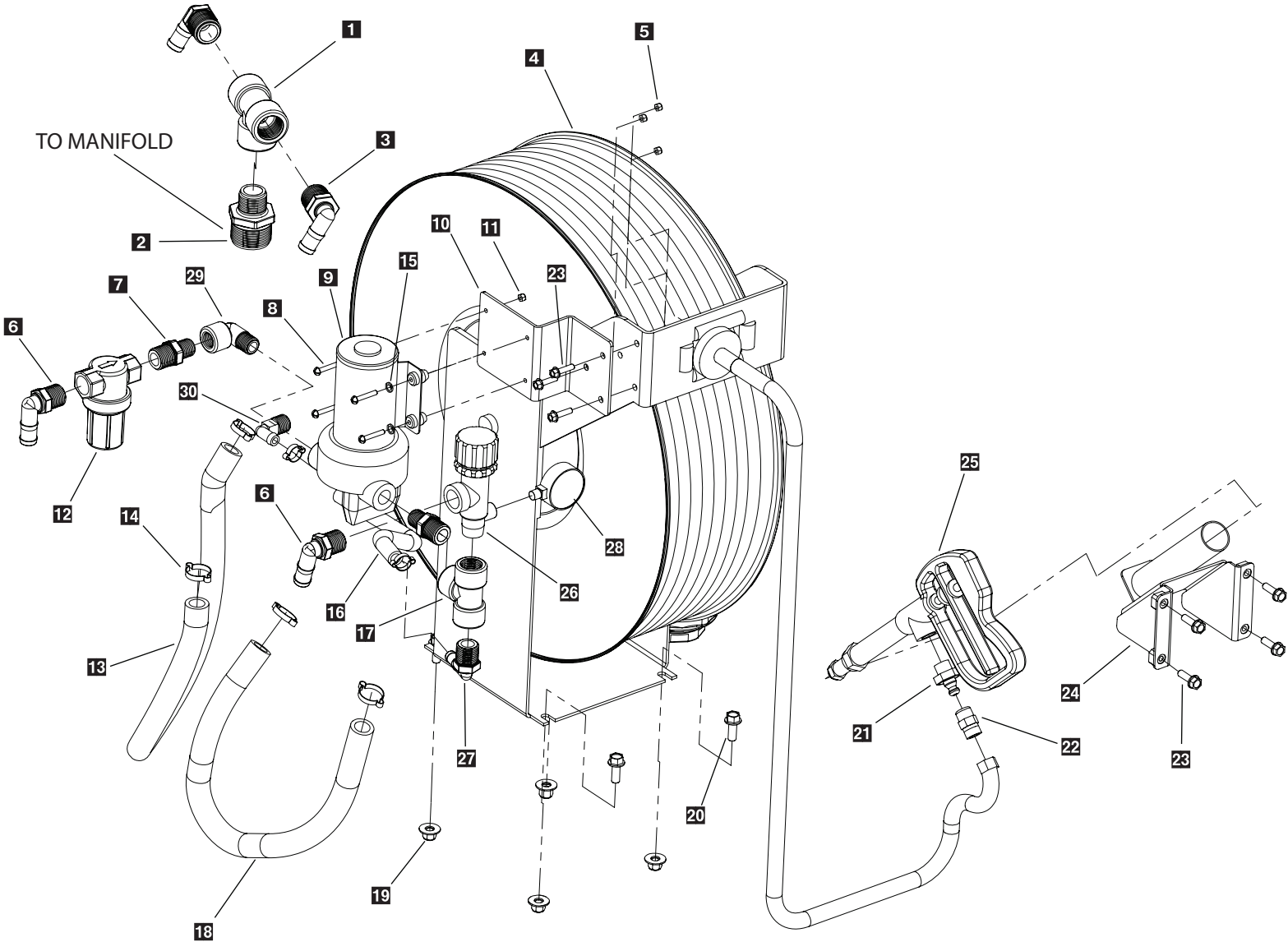
CUSTOMER COPY

Warren, Michigan 48089

800-725-8377

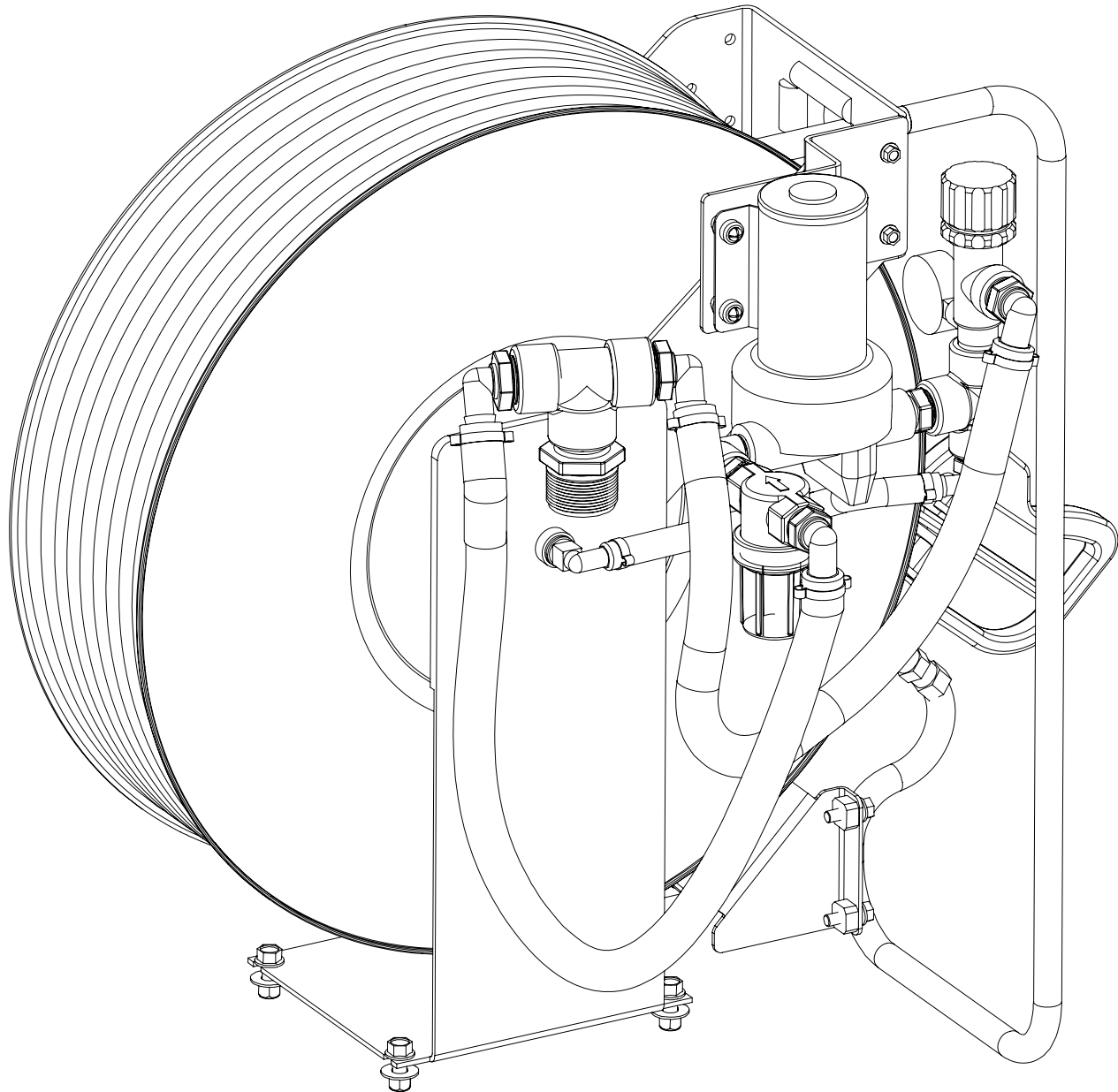
# HRK-020 Hose Reel Parts Breakdown

Model # VSS 2000 / 3000



# Hose Reel Parts Breakdown

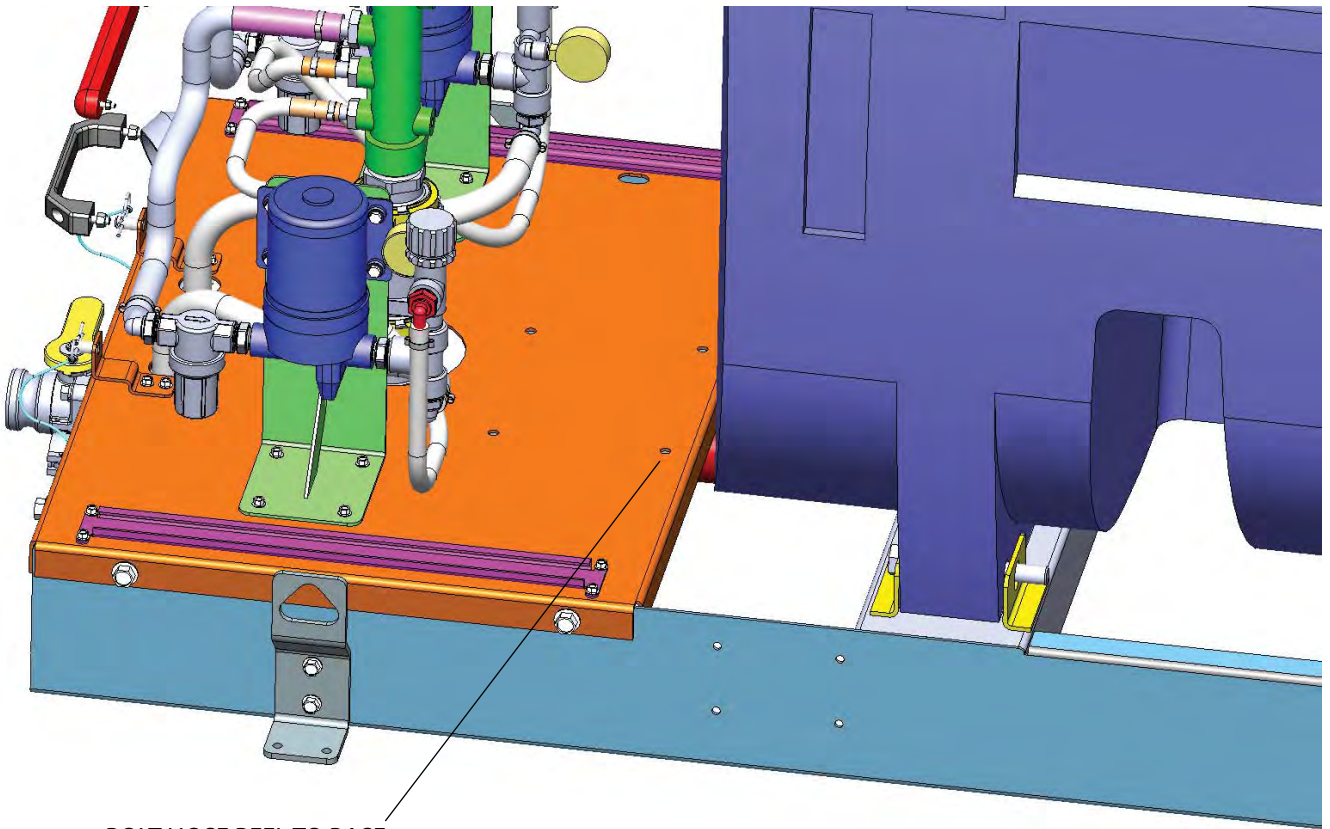
Model # VSS 2000 / 3000



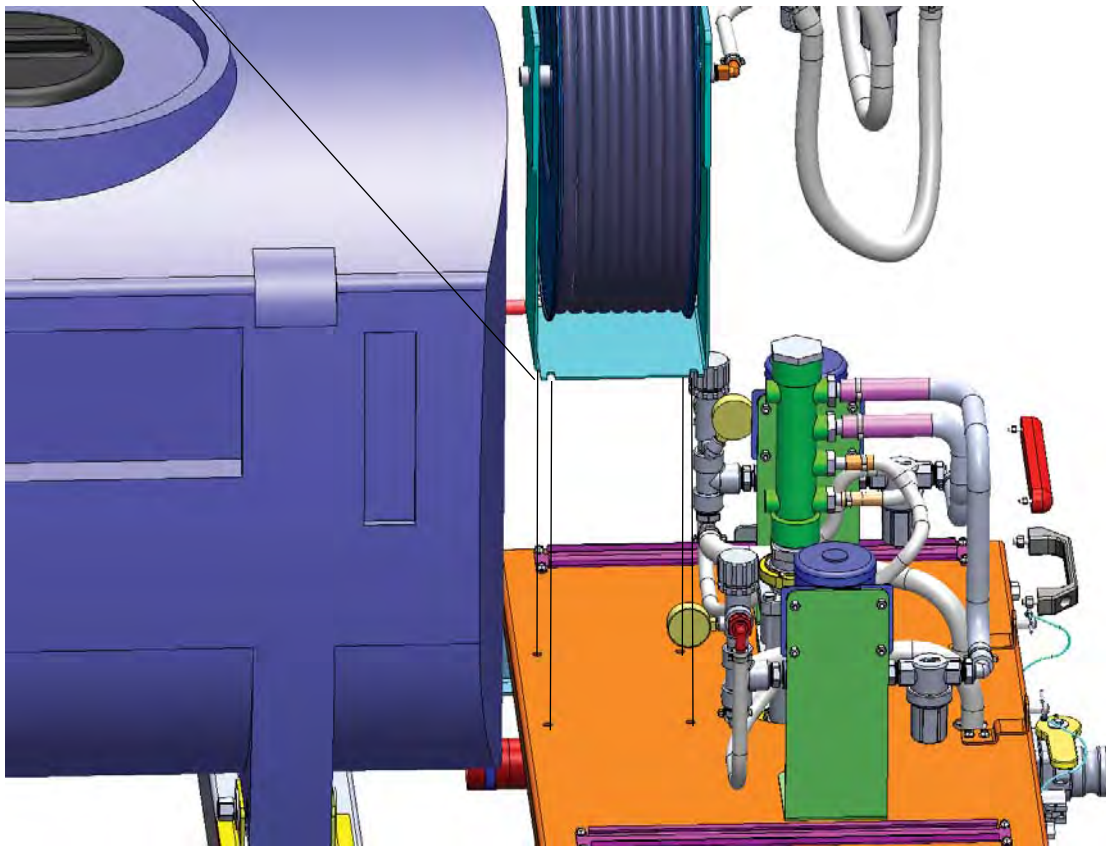
Key	Part No.	Description	Qty.	Key	Part No.	Description	Qty.
1	D 5317	1" Tee Poly	1	16	D 6989	1/2" PVC Hose (12" Long)	12
2	D 5316	1-1/2" x 1" Reducing Nipple Poly	1	17	D 6926	3/4" Tee	1
3	D 5318	1" x 3/4" 90 Hose Barb Poly	2	18	D 6990	3/4" PVC Hose (23" Long)	23
4	D 5206	Hose Reel 100' Spring Return	1	19	D 6584	3/8-16 Serrated Flange Bolt	4
5	T 15018	5/16-18 Nylock Stainless	1	20	D 6452	3/8"-16 x 1" Serrated Hex Bolt	4
6	D 6905	3/4" 90 Degree Barb	2	21	D 5208	Coupler Plug 1/2" NPT	1
7	D 5225	3/4" x 1/2" Reducing Nipple	2	22	D 5204	Coupler Socket 1/2" NPT	1
8	D 5294	#10-32 x 1-1/4" SS HH MS 18-8 (304)	4	23	D 5209	5/16"-18 x 3/4" SS HH Bolt 18-8 (304)	7
9	D 5242	5.0 GPM Pump	1	24	D 5243	Gun Mount Bracket	1
10	D 5287	Pump Bracket	1	25	D 5224	Spray Gun	1
11	D 5948	#10-32 Nylox Nut SS	4	26	D 5212	Regulator Valve	1
12	D 6918	Strainer	1	27	D 5254	3/4" x 1/2" 90 Deg. Hose Barb HB075/050	1
13	D 6990	3/4" Pvc Hose (28" Long)	28	28	D 5213	Gauge	1
14	D 5240	1-1/16" Hose Crimp Ring	4	29	D 6923	1/2" 90 Degree Street Elbow	1
15	D 5292	#10 SS Flat Washer 18-8 (304)	4	30	D 5203	1/2" x 1/2" Brass Hose Barb 90 Degree	1

# Hose Reel Assembly Illustrations

Model# VSS-2000 and VSS-3000



BOLT HOSE REEL TO BASE



## Summary of Important Safety Information

### Chemical accident procedures

Immediate response is necessary in the event of sprayer leaks, bodily chemical contact, poisoning, or spills. See instructions below:

Sprayer leak	<p>If the sprayer develops a leak, immediately stop spraying. Turn off power to the sprayer and follow directions below, as applicable.</p>
Bodily chemical contact	<p>Personal contamination can occur when chemicals splash, spill, or spray directly onto a person.</p> <ol style="list-style-type: none"> <li>1. Immediately follow First Aid instructions on chemical label. <ul style="list-style-type: none"> <li><u>General procedures can include:</u></li> <li>a) Eyes – immediately flush with water.</li> <li>b) Skin – wash all contaminated skin surfaces with soap and water.</li> <li>c) Clothing – remove contaminated clothing. Dispose of heavily contaminated clothing per chemical label instructions.</li> </ul> </li> <li>2. Seek medical advice if instructed on the label or the victim experiences symptoms of harmful effects. Bring the chemical label for reference.</li> </ol>
Poisoning by ingestion or inhalation	<p><b>In case of poisoning from ingestion or inhalation</b></p> <p>If the victim has collapsed or is not breathing, <u>call 911</u>. Otherwise:</p> <ol style="list-style-type: none"> <li>1. If you are the victim, immediately seek assistance from nearby personnel, because you may become incapacitated.</li> <li>2. Immediately follow first aid instructions on chemical label.</li> <li>3. Call a poison control center for further advice. In the U.S., call 1-800-222-1222. Have the chemical label available for reference.</li> </ol>
Chemical spills	<p><b>Chemical spills must quickly be contained and properly cleaned up.</b></p> <p>Refer to the chemical label for any specific clean-up instructions.</p> <p>General procedures include:</p> <ol style="list-style-type: none"> <li>1. Controlling the spill by stopping the source of the spill.</li> <li>2. Containing the spill so that it does not spread and get into water sources.</li> <li>3. Cleaning up the spill immediately.</li> <li>4. Seeking additional advice from: <ul style="list-style-type: none"> <li>- <u>Chemical manufacturer</u> See chemical label for contact information.</li> <li>- <u>State pesticide regulatory agency</u> In the U.S., call the National Pesticide Info. Ctr. at 800-858-7378 for assistance in contacting your state's agency.</li> </ul> </li> </ol>

# HRK-020 Installation Instructions



## Model# VSS-2000 and VSS-3000

---

Step 1: Remove sprayer cover

Step 2: Install hose reel with 3/8-16 supplied hardware.

Step 3: Install spray wand holder to side of frame with 5/16-18 supplied hardware.

Step 4: Remove (3) 5/16 bolts from hose reel guide bracket and install pump bracket to hose reel.

Step 5: Install pipe fittings on pump as shown with pipe dope compatible with polypropylene.

Step 6: Install pump to bracket.

Step 7: Install hose from filter to manifold.

Step 8: Install hose from regulator to manifold.

Step 9: Install hose from tee to hose reel.

Step 10: Tighten all hose clamps.

Step 11: Install main cover.

Step 12: Feed hose through hole in cover.

Step 13: Install quick disconnects on spray wand.

Step 14: Plug pump in and test.

Step 15: Set regulator to desired pressure, making sure that the pump runs continuously and not pulsing on and off.

De-Ice / Anti-Ice Rotary Nozzle Flow Rate Chart  
at variable speeds and pressure settings

GPA / MILES PER HOUR

PSI	GPM	5	5.5	6	6.5	7	7.5	8	8.5	9	9.5	10
20	0.71	52.71	47.9	43.93	40.55	37.66	35.15	32.95	31.01	29.29	27.75	26.35
30	0.87	64.5	58.7	53.83	49.69	46.14	43.07	40.37	38	35.88	34	32.3
40	1	74.25	67.5	61.88	57.11	53.04	49.5	46.04	43.68	41.25	39.08	37.13
50	1.12	82.1	75.5	69.3	63.97	59.4	55.44	51.98	48.92	46.2	43.77	41.58

Gallons Per Minute Formula

$$\frac{\text{GPA} \times \text{MPH} \times \text{W (per nozzle)}}{5,940}$$

Gallons Per Minute Formula

$$\frac{\text{GAL}/1000\text{FT}^2 \times \text{MPH} \times \text{W (per nozzle)}}{136}$$

Gallons Per Acre Formula

$$\frac{5,940 \times \text{GPM (per nozzle)}}{\text{MPH} \times \text{W}}$$

Gallons Per 1000 Square Feet

$$\frac{136 \times \text{GPM (per nozzle)}}{\text{MPH} \times \text{W}}$$

GPM - Gallons Per Minute

GPA- Gallons Per Acre

GAL/1000 FT<sup>2</sup> - Gallons Per 1000 Square Feet

W - Nozzle spacing



1 D 6546



2 T 20317



3 D 6548

