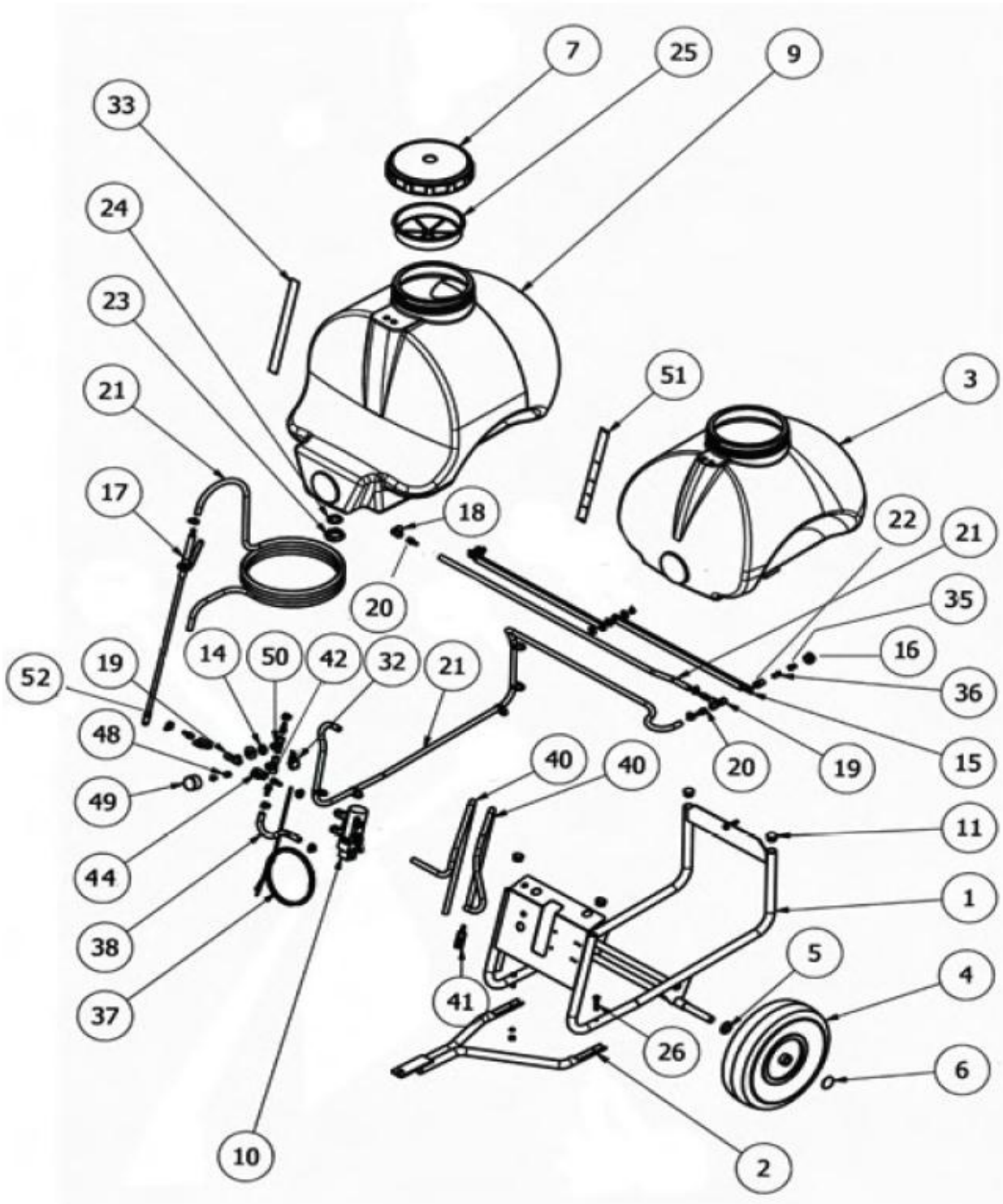


ELLO TRAINATO 70/120L 12V - 70/120L TRAILED SPRAYER 12V - PULV. TRAIINE 70/120L



**CAR70-TR-12V**  
**CAR120-TR-12V**

**CARRELLO TRAINATO 70/120L 12V - 70/120L TRAILED SPRAYER 12V - PULV. TRAIINE 70/120L 12V**

POS.	CODICE	DESCRIZIONE	Q.TA'
POS.	CODE	DESCRIPTION	Q.TY
POS.	CODE	DESCRIPTION	Q.TE'
1	M2007100001-A	telaio - frame - chassis	1
2	M2007100011-B	timone di traino - towing drawbar - timon	1
3	M2071203018	cisterna 70L - tank - cuve	1
4	M2006001,7	ruota 4.00-6" - wheel - roue	2
5	M2001200,34	rondella d. 21x36x3 - washer - rondelle	2
6	M2005000,8	fermo ruota - wheel clip - clip roue	2
7	M2000000,5	coperchio cisterna 70/120L - tank lid - couvercle cuve	2
9	M2071203019	cisterna 120L - 120 ltr tank - cuve 120 lt	1
10	M2020111.1	pompa completa - complete pump - pompe complète	1
11	M2001100,13	tappo in plast. x tubo 25x1.5 - plastic cap for hose - bouchon en plast.pour tuyau	4
14	M2001300,14	rondella D.15x27.7 Sp.2.5 - washer - rondelle	1
15	M2006000,14	supporto barra 2 mt - support for 2m boom - support pour rampe 2m	2
16	A200010	girello 3/8" - ring nut - écrou	2
17	M2001315	rubinetto a leva - lever valve - pistolet à levier	1
18	M2006000,20	raccordo 90° FF 1/4" - coupling - raccord	1
19	M2006000,17	raccordo T FFF 1/4" - coupling - raccord	2
20	M2006000,22	portagomma 1/4" d.10 - hose tail - raccord tuyau	7
21	M2102020	tubo per getti 10 BAR 8x14 - hose for nozzles - tuyau pour buses	mt
22	M2006000,15	portagetto in ottone - brass nozzle holder - porte buse en laiton	2
23	M2000000,19	tappo per scarico - discharge cap - bouchon de vidange	1
24	320030	garniz. x tappo scarico - gasket for discharge cap - joint pour bouchon de vidange	1
25	M2000000,6	filtro - filter - filtre	1
26	M2001300,26	vite svasata 8MA - bell-mouthed screw - vis évasée	2
32	M2006000,44	interruttore pompa - pump switch - interrupteur pompe	1
33	M2071203021	etichetta livello 120L - level label - étiquette niveau	1
35	M2006001,16	getto in kematal DH2 - plastic nozzle DH2 - buse kematal DH2	2
36	M2006000,23	filtro antigoccia - antidrip filter - filtre antigoutte	2
37	M2001300,37	cavo elettrico completo - complete electric cable - cable électrique complet	1
38	M2102020	tubo pompa 8x14 10 BAR - pump hose - tuyau pompe	mt
40	M2105021	tubo aspirazione pompa - pump suction hose - tuyau aspiration pompe	mt
41	M2006000,41	filtro aspirazione d.10 - suction filter - filtre aspiration	1
42	M2006000,70	raccordo T 1/4" FFM - coupling - raccord	1
44	M2006000,35	rubinetto 1/4" MF - valve - robinet	2
48	M2006000,68	raccordo 1/4"-1/8" - coupling - raccord	1
49	M1301319	manometro 0-6 BAR - pressure gauge - manometre	1
50	M2006000,74	raccordo T 1/4" FMF - coupling - raccord	2
51	M2071203020	etichetta livello 70L - level label - étiquette niveau	1
52	M2006001,55	ugello regolabile - adjustable nozzle - buse réglable	1