

TRX 50 S Honda Renting Version



**TRX 50 S-RENT**

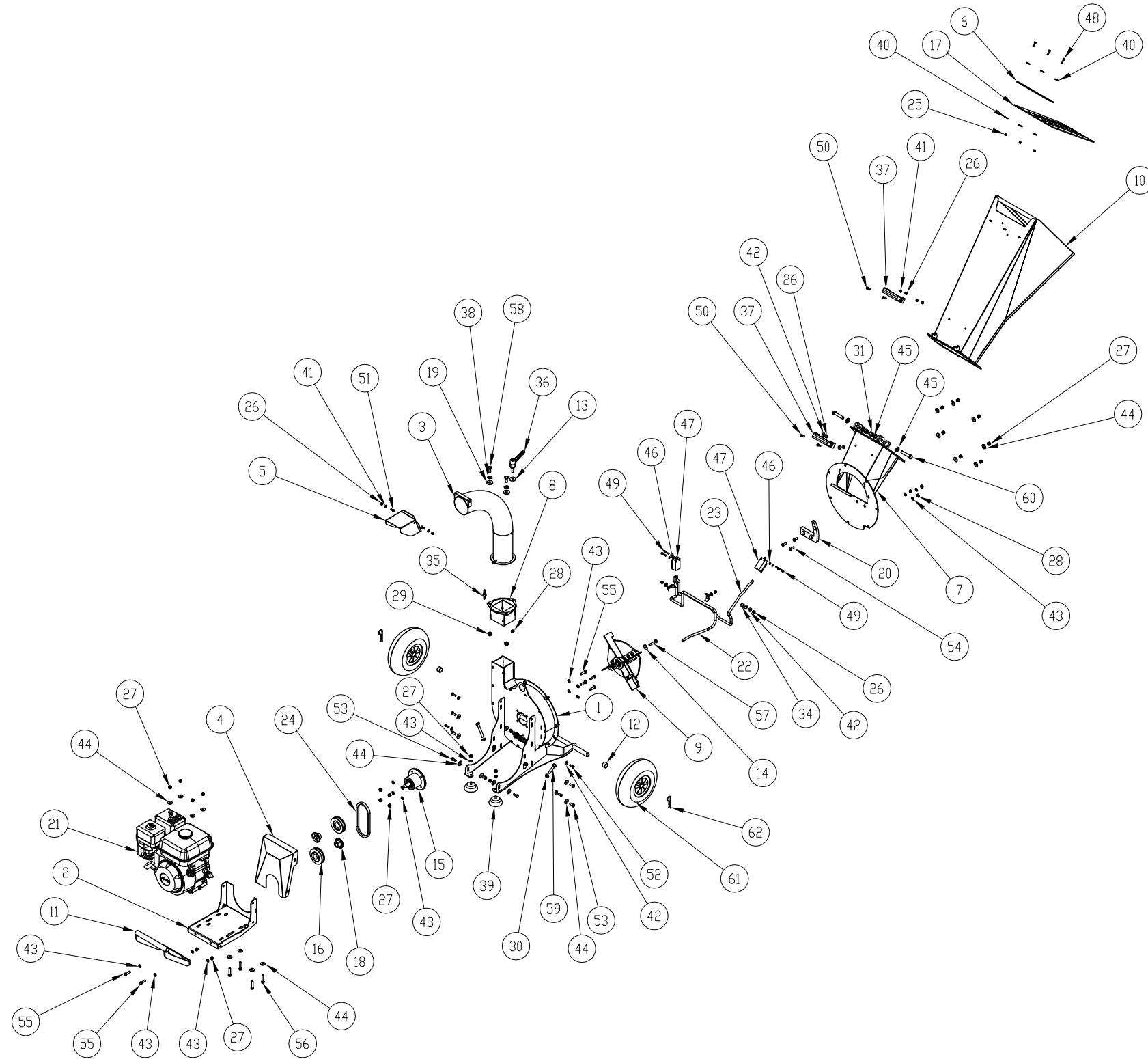


# Tab.1 - TRX 50 S Honda

# TRX 50 S-RENT

Pos	Description	Q.ty	Code	Pos	Description	Q.ty	Code	Pos	Description	Q.ty	Code
1	Chipper box	1	001542	28	Self-lock nut M8 low	4	520002108	57	Screw TE M8x45	1	50005008
2	Engine support	1	001366	29	Self-lock nut M10	2	900030	58	Screw TE M10x25	2	900380
3	Output pipe	1	001369	30	Nut M10 low	2	900495	59	Screw TE M10x70	2	500070010
4	Belt cover	1	001370	31	Self-lock nut M12	2	900362	60	Screw TE M12x60	2	900374
5	Output casing	1	001371	32	Spacer ø25x19x1	1	060002200	61	Wheel ø260x85	2	900031
6	Plate	1	001372	33	Spacer ø25x20x1.5	1	060002201	62	Cotter pin	2	900121
7	Hopper support	1	001600	34	Plate	3	910101				
8	Output pipe support	1	001545	35	Knob M8x20	1	900040				
9	Rotor Assembly	1	See Tab. 3	36	Adjustable knob M8x30	1	900606				
10	Loading hopper	1	001601	37	Handle	2	900231				
11	Engine protection	1	001602	38	Belleville washer ø10	2	900315				
12	Spacer	2	050001015	39	Rubber feet	2	900285				
13	Washer ø30x8.5x5	1	000932	40	Washer ø5x20	6	900014				
14	Shaped washer	1	510000844	41	Washer ø6x12	4	900365				
15	Transmission Assembly	1	See Tab. 2	42	Washer ø6x18	9	900046				
16	Pulley 1A 80	1	900594	43	Washer ø8x16	17	900034				
17	Protection rubber	1	080000301	44	Washer ø8x24	25	900038				
18	Bush	2	000778	45	Washer ø12x24	4	900344				
19	Washer ø30x10.5x5	2	B19002013	46	Washer Grower ø5	4	910100				
20	Counter blade	1	001368	47	Proximity switch	2	900219				
21	Engine Honda GP 160	1	900846	48	Screw TCEI M5x20	3	900882				
	Engine Honda GX 160	1	014100000	49	Screw TCEI M5x25	4	900713				
	Engine Honda GX 200	1	014100004	50	Screw TCEI M6x20	4	900613				
22	Wiring (switch2-engine)	1	001548	51	Screw TE M6x16	2	900366				
23	Wiring (switch1-switch2)	1	001547	52	Screw TE M6x20	4	900395				
24	Belt A-18	1	900015	53	Screw TE M8x20	6	900378				
25	Self-lock Nut M5	3	900702	54	Screw TSPEI M8x25	3	900045				
26	Self-lock Nut M6	9	900041	55	Screw TE M8x30	6	900368				
27	Self-lock Nut M8	23	900027	56	Screw TE M8x40	4	501840010				

Rev. 1-2019

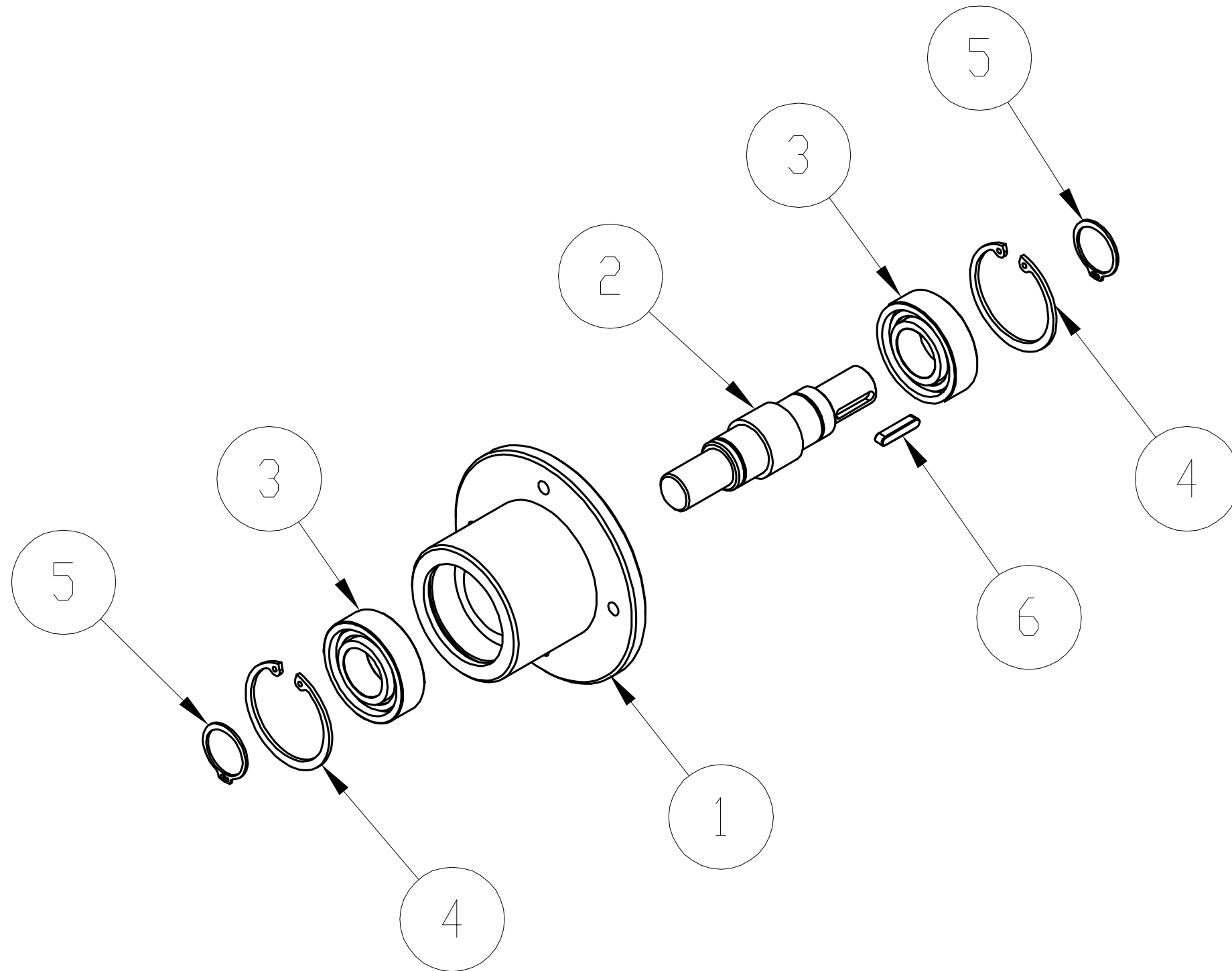




## Tab.2 - Transmission Assembly

# TRX 50 S-RENT

Pos	Descrizione	Q.tà	Codice
1	Transmission flange	1	000779
2	Shaft	1	000780
3	Bearing 6205 2RS	2	900595
4	Seeger ring I-52	2	900596
5	Seeger ring E-25	2	510011000
6	Key 5x5x25	1	530003010

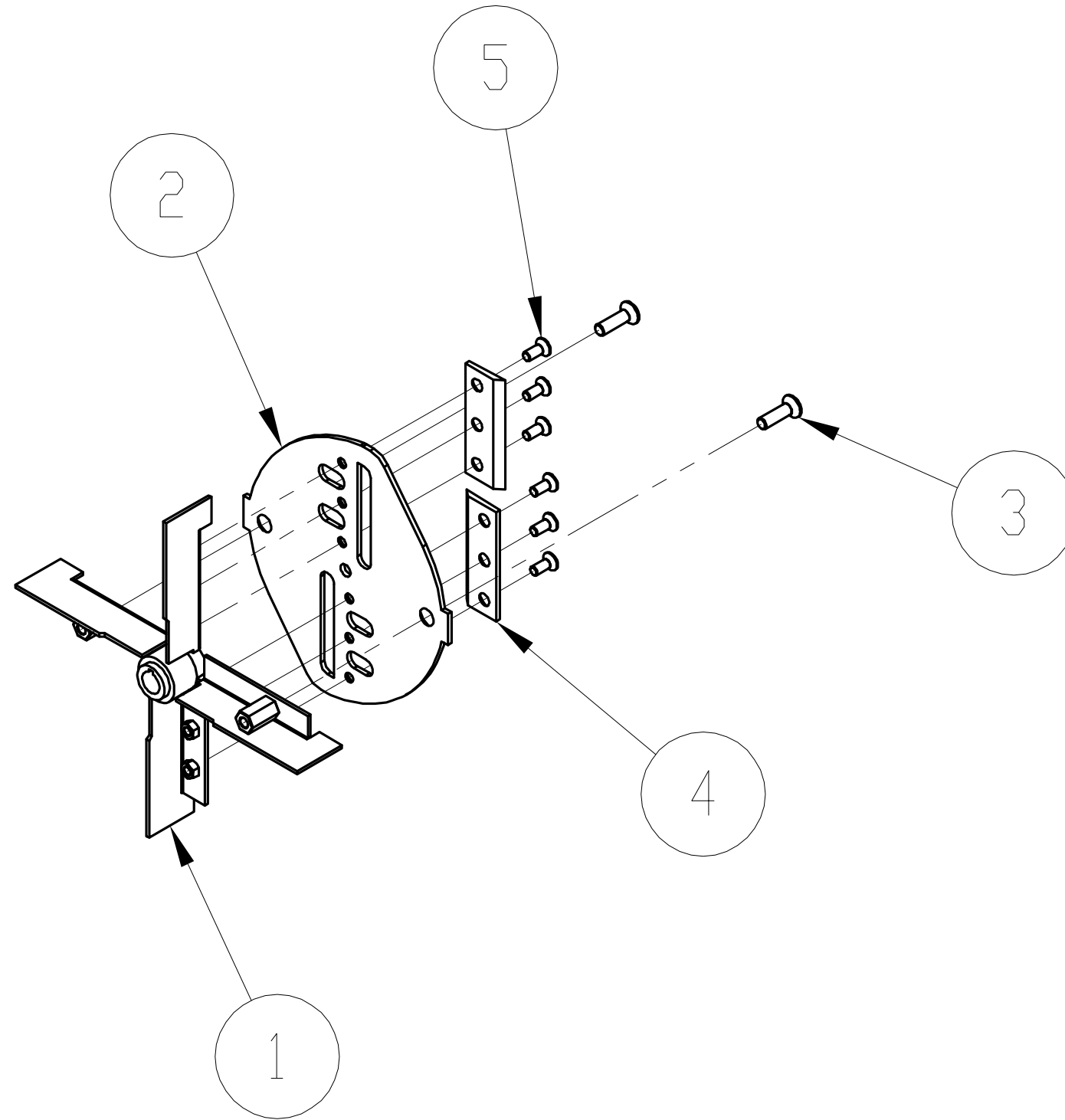




## Tab.3 - Rotor Assembly

# TRX 50 S-RENT

Pos	Descrizione	Q.tà	Codice
1	Rotor	1	001604
2	Rotor disc 6mm	1	001603
3	Scrive TSPEI M10x35	2	900224
4	Chipper blade	2	013300800
5	Screw TSPEI M8x20	6	900043







**CARAVAGGI SRL**  
**VIA MONTE ADAMELLO, 20**  
**25037 PONTOGLIO (BS) - ITALY**  
**[info@caravaggi.com](mailto:info@caravaggi.com)**  
**[www.caravaggi.com](http://www.caravaggi.com)**