

MASSIMA TEMPERATURA INGRESSO ACQUA
MAX INPUT WATER TEMPERATURE

45°C
113° F

PRESSIONE MINIMA INGRESSO
MINIMAL INPUT PRESSURE

0.2 BAR
2.9 PSI

INGRESSO
INLET

G 1/2"

USCITA
OUTLET

G 3/8"

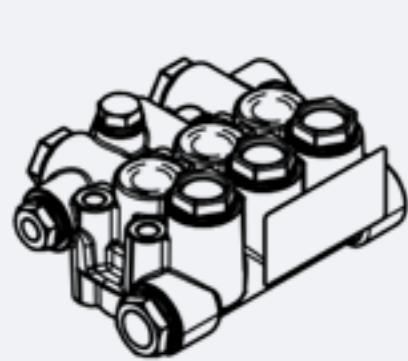


GM	PORTATA FLOW RATE		GIRI ROUNDS	PRESSIONE MASSIMA MAX PRESSURE		CAPACITÀ OLIO OIL CAPACITY		PESO WEIGHT	
	Lt/min	Gal/min	Rpm	Bar	Psi	Lt	Gal	Kg	Lbs
	50HZ		60Hz		150		1.2		14
	18.00 ▶ 63.00	4.75 ▶ 16.64	1450	150	2175.57	1.2	0.31	14	30.86
	21.60 ▶ 75.60	5.70 ▶ 19.97	1740	300	4351.13				

Codice Code	Modello Model	Portata / Flow Rate lt/min - gal/min		Pressione Pressure		Potenza Power		Potenza / Power		Albero Shaft	Ø Pistone Ø Plunger
		1450 rpm	1740 rpm	Bar	Psi	50Hz		60Hz			
						HP	Kw	HP	Kw		
P3.030.001	GM18300R	18.00 4,76	21.60 5,71	300.00	4351.13	14.03	10.45	16.83	12.54	45mm Destra / Right	20
P3.030.002	GM22300R	22.00 5,81	26.40 6,97	300.00	4351.13	17.14	12.77	20.57	15.33	45mm Destra / Right	20
P3.030.003	GM25300R	25.00 6,60	30.00 7,93	300.00	4351.13	19.48	14.51	23.38	17.42	45mm Destra / Right	20
P3.030.005	GM27300R	27.00 7,13	32.40 8,56	300.00	4351.13	21.04	15.67	25.25	18.81	55mm Destra / Right	20
P3.030.006	GM30250R	30.00 7,93	36.00 9,51	250.00	3625.94	19.48	14.51	23.38	17.42	45mm Destra / Right	22
P3.030.008	GM33250R	33.00 8,72	39.60 10,46	250.00	3625.94	21.43	15.96	25.71	19.16	55mm Destra / Right	22
P3.030.009	GM35170R	35.00 9,25	42.00 11,10	170.00	2465.64	15.45	11.51	18.55	13.82	45mm Destra / Right	25
P3.030.010	GM40170R	40.00 10,57	48.00 12,68	170.00	2465.64	17.66	13.16	21.19	15.79	45mm Destra / Right	25
P3.030.012	GM43170R	43.00 11,36	51.60 13,63	170.00	2465.64	18.99	14.15	22.78	16.97	55mm Destra / Right	25
P3.030.013	GM50150R	50.00 13,21	60.00 15,85	150.00	2175.57	19.48	14.51	23.38	17.42	45mm Destra / Right	28
P3.030.014	GM54150R	54.00 14,27	64.80 17,12	150.00	2175.57	21.04	15.67	25.25	18.81	55mm Destra / Right	28
P3.030.034	GM63150R	63.00 16,64	75.60 19,97	150.00	2175.57	24.54	18.30	29.45	21.96	55mm Destra / Right	28
P3.030.015	GM18300L	18.00 4,76	21.60 5,71	300.00	4351.13	14.03	10.45	16.83	12.54	45mm Sinistra / Left	20
P3.030.016	GM22300L	22.00 5,81	26.40 6,97	300.00	4351.13	17.14	12.77	20.57	15.33	45mm Sinistra / Left	20
P3.030.017	GM25300L	25.00 6,60	30.00 7,93	300.00	4351.13	19.48	14.51	23.38	17.42	45mm Sinistra / Left	20
P3.030.019	GM27300L	27.00 7,13	32.40 8,56	300.00	4351.13	21.04	15.67	25.25	18.81	55mm Sinistra / Left	20
P3.030.020	GM30250L	30.00 7,93	36.00 9,51	250.00	3625.94	15.58	11.61	18.70	13.93	45mm Sinistra / Left	22
P3.030.022	GM33250L	33.00 8,72	39.60 10,46	250.00	3625.94	21.43	15.96	25.71	19.16	55mm Sinistra / Left	22
P3.030.023	GM35170L	35.00 9,25	42.00 11,10	170.00	2465.64	15.45	11.51	18.55	13.82	45mm Sinistra / Left	25
P3.030.024	GM40170L	40.00 10,57	48.00 12,68	170.00	2465.64	17.66	13.16	21.19	15.79	45mm Sinistra / Left	25
P3.030.026	GM43170L	43.00 11,36	51.60 13,63	170.00	2465.64	18.99	14.15	22.78	16.97	55mm Sinistra / Left	25
P3.030.027	GM50150L	50.00 13,21	60.00 15,85	150.00	2175.57	19.48	14.51	23.38	17.42	45mm Sinistra / Left	28
P3.030.028	GM54150L	54.00 14,27	64.80 17,12	150.00	2175.57	21.04	15.67	25.25	18.81	55mm Sinistra / Left	28
P3.030.035	GM63150L	63.00 16,64	75.60 19,97	150.00	2175.57	24.54	18.30	29.45	21.96	55mm Sinistra / Left	28



RICAMBI GM Ø20 / SPARE PARTS GM Ø20



KIT - P9.040.009

TESTATA COMPLETA
COMPLETE HEAD OF THE PUMP



KIT - P9.039.002

ANELLI TENUTA OLIO ASTA
KIT OIL SEAL PUMP MM PM



KIT - P9.003.005

GUARNIZIONE PISTONE
KIT PLUNGER SEALS



KIT - P9.004.009

PISTONE Ø18 POMPA PM
KIT CERAMIC PISTON



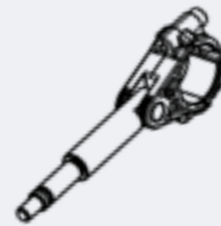
KIT - P9.001.007

VALVOLA COMPLETA
COMPLETE VALVE



KIT - P9.003.019

GUARNIZIONE PISTONE - PACCO COMPLETO
KIT COMPLETE SEALS

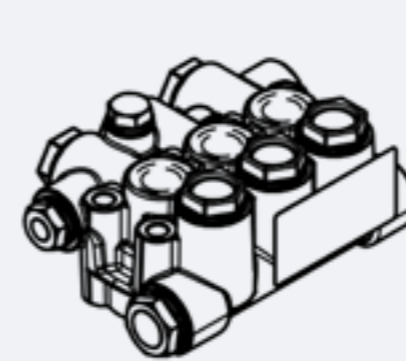


KIT - P2.150.007

PREMONTATO BIELLA - ASTA
PREASSEMBLED CONNECTING ROD



RICAMBI GM Ø25 / SPARE PARTS GM Ø25



KIT - P9.040.011

TESTATA COMPLETA
COMPLETE HEAD OF THE PUMP



KIT - P9.039.002

ANELLI TENUTA OLIO ASTA
KIT OIL SEAL PUMP MM PM



KIT - P9.003.009

GUARNIZIONE PISTONE
KIT PLUNGER SEALS



KIT - P9.004.011

PISTONE Ø18 POMPA PM
KIT CERAMIC PISTON



KIT - P9.001.008

VALVOLA COMPLETA
COMPLETE VALVE



KIT - P9.003.021

GUARNIZIONE PISTONE - PACCO COMPLETO
KIT COMPLETE SEALS

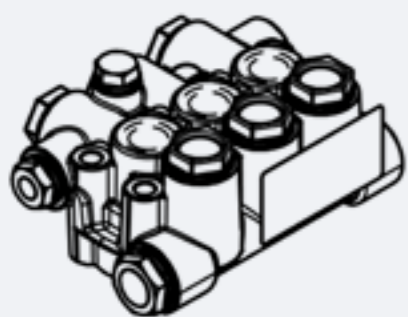


KIT - P2.150.007

PREMONTATO BIELLA - ASTA
PREASSEMBLED CONNECTING ROD



RICAMBI GM Ø22 / SPARE PARTS GM Ø22



KIT - P9.040.010

TESTATA COMPLETA
COMPLETE HEAD OF THE PUMP



KIT - P9.039.002

ANELLI TENUTA OLIO ASTA
KIT OIL SEAL PUMP MM PM



KIT - P9.003.007

GUARNIZIONE PISTONE
KIT PLUNGER SEALS



KIT - P9.004.002

PISTONE Ø18 POMPA PM
KIT CERAMIC PISTON



KIT - P9.001.007

VALVOLA COMPLETA
COMPLETE VALVE



KIT - P9.003.020

GUARNIZIONE PISTONE - PACCO COMPLETO
KIT COMPLETE SEALS

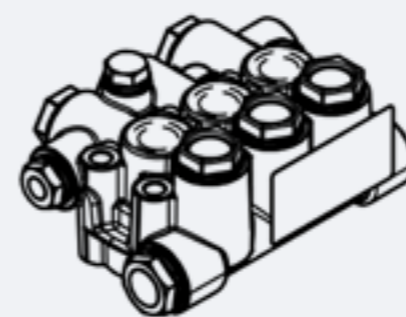


KIT - P2.150.007

PREMONTATO BIELLA - ASTA
PREASSEMBLED CONNECTING ROD



RICAMBI GM Ø28 / SPARE PARTS GM Ø28



KIT - P9.040.012

TESTATA COMPLETA
COMPLETE HEAD OF THE PUMP



KIT - P9.039.002

ANELLI TENUTA OLIO ASTA
KIT OIL SEAL PUMP MM PM



KIT - P9.003.011

GUARNIZIONE PISTONE
KIT PLUNGER SEALS



KIT - P9.004.012

PISTONE Ø18 POMPA PM
KIT CERAMIC PISTON



KIT - P9.001.008

VALVOLA COMPLETA
COMPLETE VALVE



KIT - P9.003.022

GUARNIZIONE PISTONE - PACCO COMPLETO
KIT COMPLETE SEALS



KIT - P2.150.007

PREMONTATO BIELLA - ASTA
PREASSEMBLED CONNECTING ROD